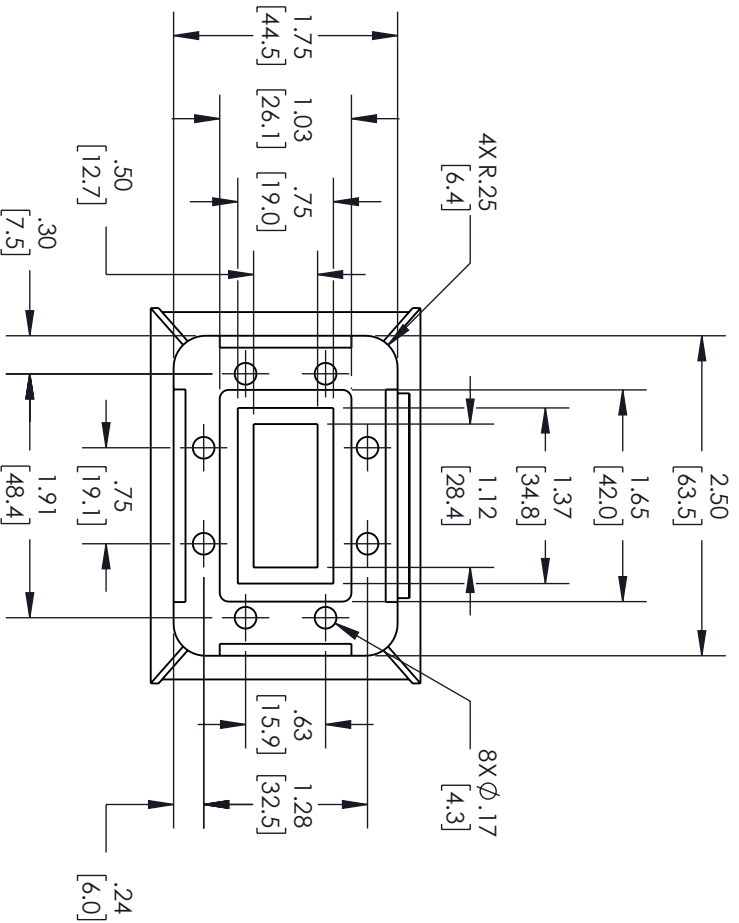
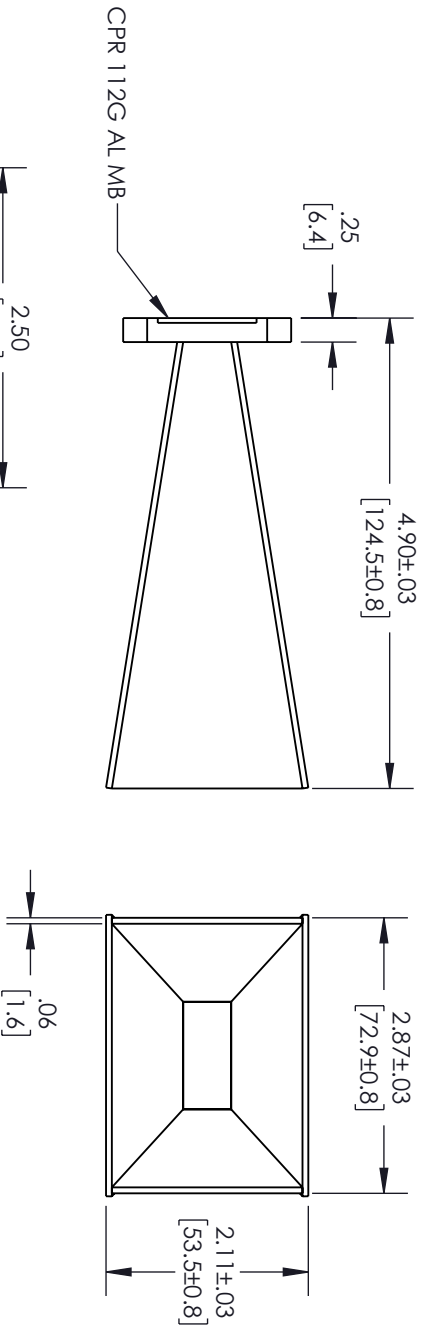


REVISIONS			
REV.	DESCRIPTION	DATE	APPROVED
A	INITIAL RELEASE	12/02/22	KHIETPAS



- NOTES:
- LABEL PER ILS-100-03 (FOR INTERNAL USE ONLY). LABEL LOCATION SHOWN IS FOR REFERENCE ONLY.

REGULATORY COMPLIANCE:
EU ROHS DIRECTIVE (MOST RECENT RELEASED VERSION)

THESE COMMODITIES, TECHNOLOGY OR SOFTWARE WERE EXPORTED FROM THE UNITED STATES IN ACCORDANCE WITH THE EXPORT ADMINISTRATION REGULATIONS, DIVERSION CONTRARY TO U.S. LAW PROHIBITED.



TITLE

UNLESS OTHERWISE SPECIFIED LEADING DIMENSIONS ARE INCHES				THIRD-ANGLE PROJECTION					
DIMENSIONS IN [] ARE MILLIMETERS									
TOLERANCES:									
FRACTIONS		CABLE LENGTH (L) TOLERANCES:		FRACTIONS		DESIGN IN THIS DOCUMENT IS THE PROPERTY OF FAIRVIEW MICROWAVE CORPORATION. ALL RIGHTS RESERVED.			
X = +.2	[.08]	12 [305]	< L ≤ 60 [1524]	= +.2 [51]	-.0	60 [1524]	< L ≤ 120 [3048]	= +.4 [102]	-.0
XX = +.02	[.51]	60 [1524]	< L ≤ 120 [3048]	= +.6 [152]	-.0	120 [3048]	< L ≤ 300 [7620]	= +.6 [152]	-.0
XXX = +.005	[.13]	300 [7620]	< L	= +5% [L / .0					
ALL DIMENSIONS SHOWN ARE FOR REFERENCE ONLY.				SCALE					
SIZE	GAGE CODE	DRAWN BY	ITEM NO.	SCALE	REV	REV	REV		
A	3FKRS	VTHANGARAJ	FM9858B-15-CPRG	N/A	1	1	A		