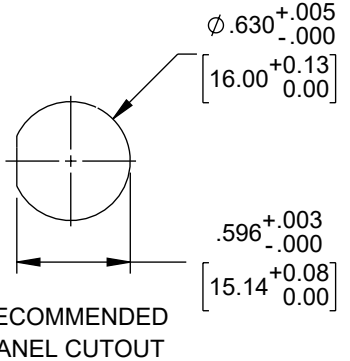
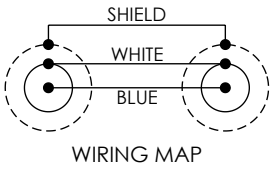
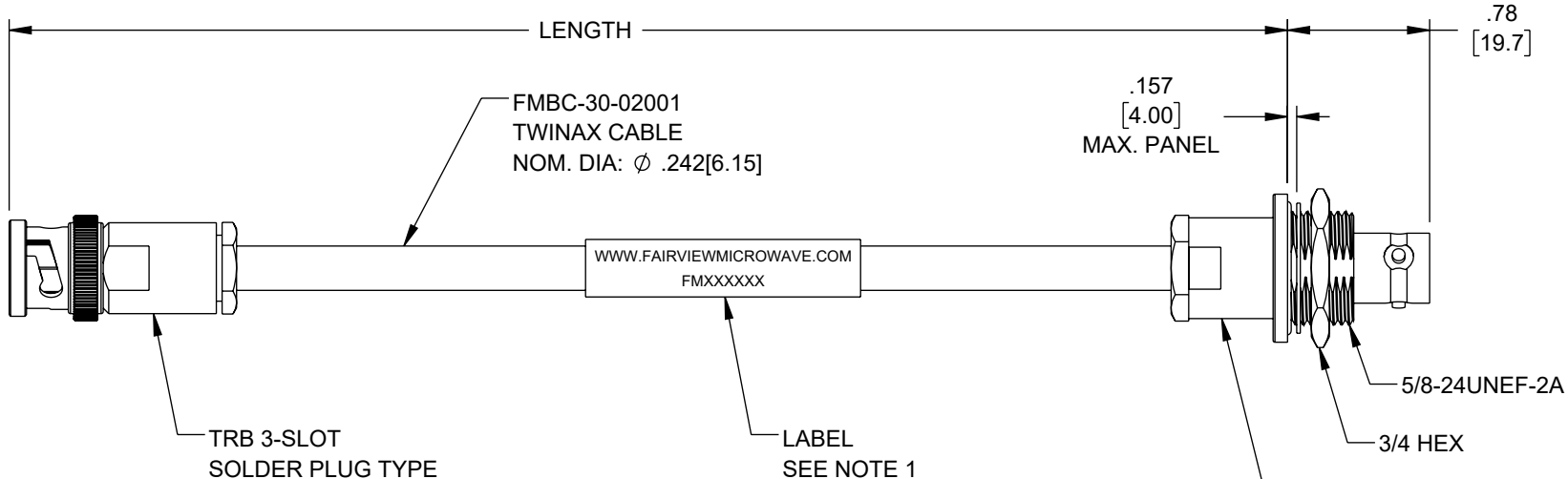


6 5 4 3 2 1

REVISION					
ZONE	REV	DESCRIPTION	DATE	CHANGED BY	APPROVED
	A	INITIAL RELEASE	07/31/2023	LNAGARAJ	EKIM



- NOTES:**
- CABLE ASSEMBLY LENGTH LABEL PLACEMENT: 36 INCHES OR LESS, ONE LABEL APPROXIMATELY CENTERED. LONGER THAN 36 INCHES, TWO LABELS APPROXIMATELY 6 INCHES FROM EACH CONNECTOR.
 - CABLE ASSEMBLIES SHALL BE TESTED FOR CONTINUITY.
 - CABLE ASSEMBLY LENGTH DETERMINED BY PN AS ILLUSTRATED: FM3MP2192-XX (XX = OAL IN METERS).

<p>UNLESS OTHERWISE SPECIFIED LEADING DIMENSIONS ARE INCHES DIMENSIONS IN [] ARE MILLIMETERS</p> <p>TOLERANCES:</p> <table border="0"> <tr> <td>X = ±.2 [5]</td> <td>FRACTIONS</td> </tr> <tr> <td>.XX = ±.02 [0.5]</td> <td>± 1/32</td> </tr> <tr> <td>.XXX = ±.005 [0.13]</td> <td>ANGLES ± 1°</td> </tr> </table> <p>CABLE LENGTH TOLERANCES:</p> <table border="0"> <tr> <td>≤12 [305] = +1 [25] / -0</td> </tr> <tr> <td>>12 [305] ≤ 60 [1524] = +2 [51] / -0</td> </tr> <tr> <td>>60 [1524] ≤ 120 [3048] = +4 [102] / -0</td> </tr> <tr> <td>>120 [3048] ≤ 300 [7620] = +6 [152] / -0</td> </tr> <tr> <td>>300 [7620] = +5% / -0</td> </tr> </table> <p>ALL DIMENSIONS ARE FOR REFERENCE ONLY AND SUBJECT TO CHANGE WITHOUT NOTICE. UN-DIMENSIONED/NON-CRITICAL FEATURES MAY VARY IN SIZE AND LOCATION. COLORS MAY VARY.</p>	X = ±.2 [5]	FRACTIONS	.XX = ±.02 [0.5]	± 1/32	.XXX = ±.005 [0.13]	ANGLES ± 1°	≤12 [305] = +1 [25] / -0	>12 [305] ≤ 60 [1524] = +2 [51] / -0	>60 [1524] ≤ 120 [3048] = +4 [102] / -0	>120 [3048] ≤ 300 [7620] = +6 [152] / -0	>300 [7620] = +5% / -0	<p>Fairview Microwave an INFINIT® brand</p> <p>Website: www.FairviewMicrowave.com Phone: 1.800.715.4396 1.972.649.6678</p>	<p>INTERPRET ALL DIMENSIONS AND TOLERANCES PER ASME Y14.5</p> <table border="1"> <tr> <td>SCALE</td> <td>SHEET</td> </tr> <tr> <td>NONE</td> <td>1 OF 1</td> </tr> </table>	SCALE	SHEET	NONE	1 OF 1
	X = ±.2 [5]	FRACTIONS															
.XX = ±.02 [0.5]	± 1/32																
.XXX = ±.005 [0.13]	ANGLES ± 1°																
≤12 [305] = +1 [25] / -0																	
>12 [305] ≤ 60 [1524] = +2 [51] / -0																	
>60 [1524] ≤ 120 [3048] = +4 [102] / -0																	
>120 [3048] ≤ 300 [7620] = +6 [152] / -0																	
>300 [7620] = +5% / -0																	
SCALE	SHEET																
NONE	1 OF 1																
<p>DESCRIPTION</p> <p>78 OHM TRB 3-SLOT SOLDER/CLAMP PLUG TO 3-LUG SOLDER/CLAMP INSULATED BULKHEAD JACK FOR FMBC-30-02001 TWINAX (.242 O.D.) CABLE</p>																	
SIZE	CAGE CODE	DRAWN BY	ITEM NO.	REV													
A	3FKR5	LNAGARAJ	FM3MP2192-XX	A													

THE INFORMATION CONTAINED IN THIS DRAWING IS THE SOLE PROPERTY OF INFINITE ELECTRONICS, INC. ANY REPRODUCTION IN PART OR WHOLE WITHOUT THE WRITTEN PERMISSION OF INFINITE ELECTRONICS, INC. IS PROHIBITED. THESE COMMODITIES, TECHNOLOGY OR SOFTWARE WERE EXPORTED FROM THE UNITED STATES IN ACCORDANCE WITH THE EXPORT ADMINISTRATION REGULATIONS. DIVERSION CONTRARY TO U.S. LAW PROHIBITED.

6 5 4 3 2 1