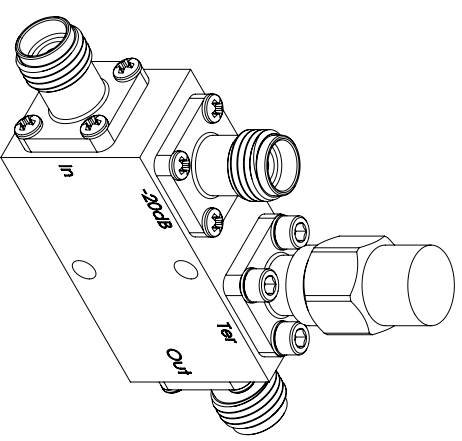
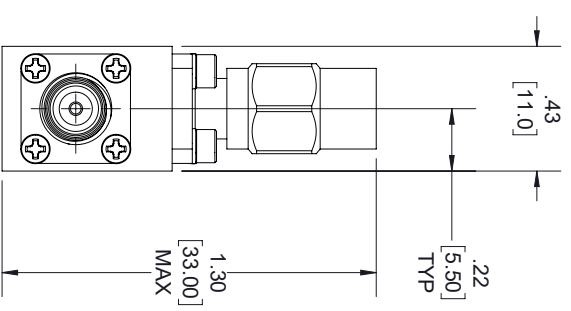
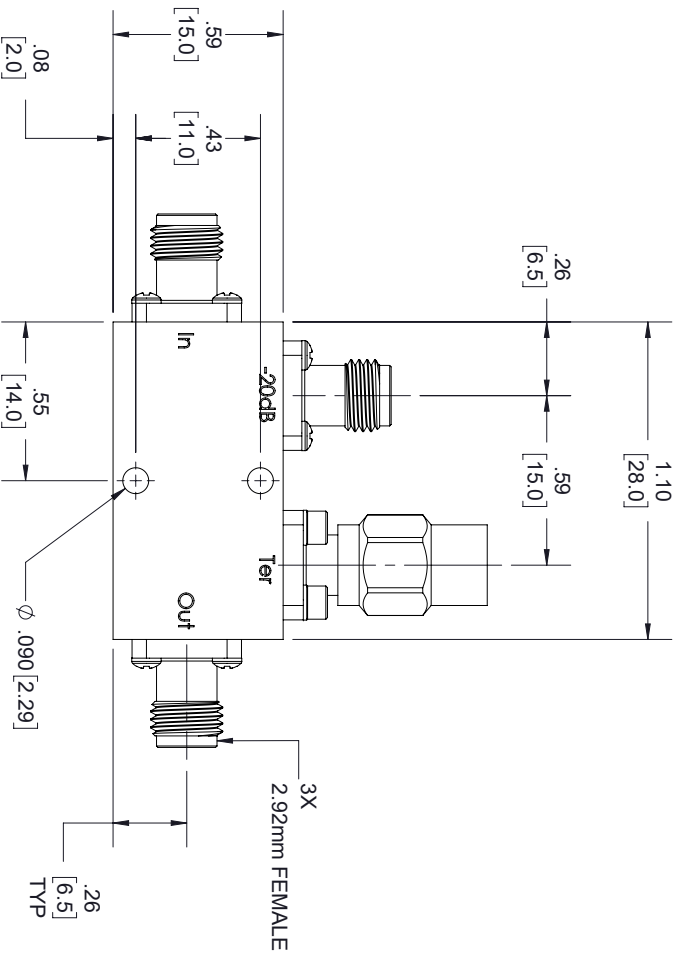


REVISIONS			DATE	APPROVED
REV.	DESCRIPTION			
B	FOR FMZCP1124-20		8/11/2021	S.PONG



**FAIRVIEW MICROWAVE**  
 FMZCP1124-20  
 D/C: YYYYWW



THESE COMMODITIES, TECHNOLOGY OR SOFTWARE WERE EXPORTED FROM THE UNITED STATES IN ACCORDANCE WITH THE EXPORT ADMINISTRATION REGULATIONS, DIVERSION CONTRARY TO U.S. LAW PROHIBITED.

UNLESS OTHERWISE SPECIFIED LEADING DIMENSIONS ARE INCHES  
 DIMENSIONS IN [ ] ARE MILLIMETERS

TOLERANCES:

X = +.2 [5.08]  
 XX = +.02 [.51]  
 XXX = +.005 [.13]

FRACTIONS  
 ± 1/32  
 ANGLES ± 1°

CABLE LENGTH (L) TOLERANCES:

L ≤ 12 (305) = +1 [25] / -0  
 12 (305) < L ≤ 60 (1524) = +2 [51] / -0  
 60 (1524) < L ≤ 120 (3048) = +4 [102] / -0  
 120 (3048) < L ≤ 300 (7620) = +6 [152] / -0  
 300 (7620) < L = +5% / -0

THIRD-ANGLE PROJECTION

THE INFORMATION AND DESIGN IN THIS DOCUMENT IS THE PROPERTY OF FAIRVIEW MICROWAVE CORPORATION. ALL RIGHTS RESERVED.

SHEET 1 OF 1

ALL DIMENSIONS SHOWN ARE FOR REFERENCE ONLY.

SCALE N/A

SIZE	GAGE CODE	DRAWN BY	ITEM NO.	REV
A	3FKRS	K.DANG	FMZCP1124-20	B