

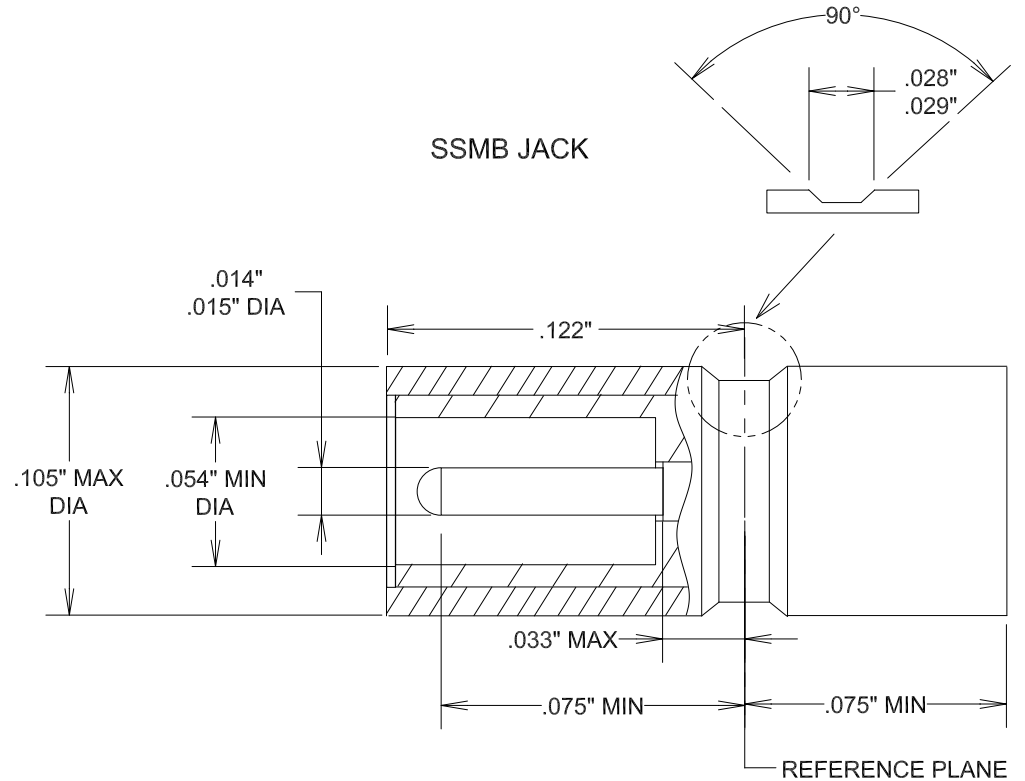
# SPECIFICATIONS

## ELECTRICAL

FREQUENCY: DC-12 GHZ  
 IMPEDANCE: 50 OHMS  
 VRMS: 250 VOLTS SEA LEVEL

## MECHANICAL

MATERIALS BODY: BRASS  
 PLUG SPRING FINGERS, CENTER CONTACT: BeCu  
 CONTACT PLATING: GOLD  
 INSULATOR: TEFLON  
 FORCE TO ENGAGE: 6 LBS MAX  
 FORCE TO DISENGAGE: 2 LBS MIN  
 DURABILITY: 500 MATING CYCLES  
 ROHS COMPLIANT



**FAIRVIEW MICROWAVE INC.**

ALLEN, TX 75013 WWW.FAIRVIEWMICROWAVE.COM

TITLE

**SSMB JACK**

| SIZE  | CAGE CODE | DWG NO    | REV |
|-------|-----------|-----------|-----|
| A     | 3FKR5     | SSMB JACK |     |
| SCALE |           | SHEET     |     |