

SPECIFICATIONS

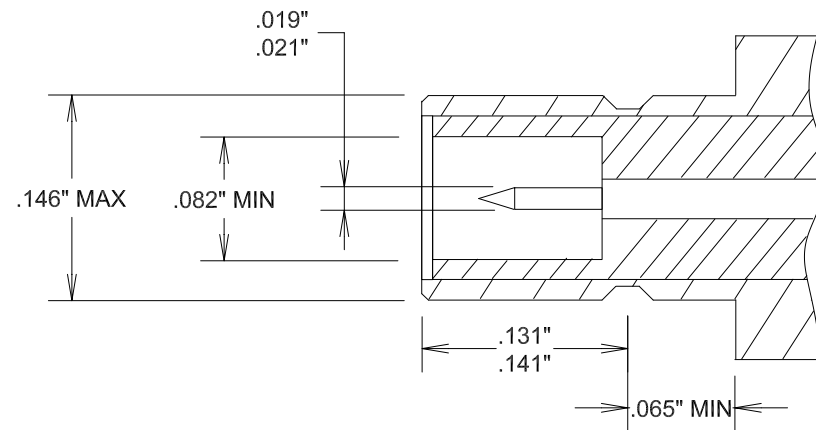
ELECTRICAL

FREQUENCY: DC-4 GHZ
 IMPEDANCE: 50 OHMS
 VRMS: 250 VOLTS(RG-178)
 335 VOLTS(RG-316)

MECHANICAL

MATERIALS BODY: NICKEL, GOLD, OR BRASS
 MALE CONTACTS: BRASS
 FEMALE CONTACTS: BeCu
 CONTACT PLATING: GOLD
 GASKETS: SILICONE RUBBER
 INSULATOR: TEFLON

SMB JACK



FAIRVIEW MICROWAVE INC.

ALLEN, TX 75013 WWW.FAIRVIEWMICROWAVE.COM

TITLE

SMB JACK

SIZE	CAGE CODE	DWG NO	REV
A	3FKR5	SMB JACK	
SCALE		SHEET	