

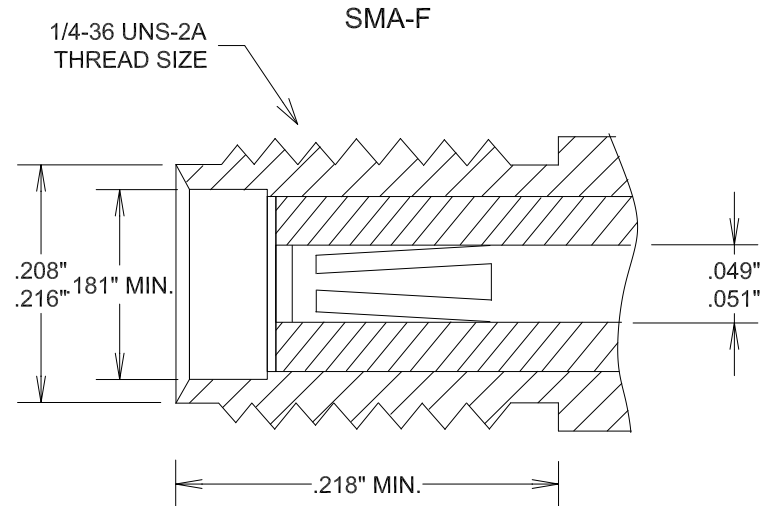
# SPECIFICATIONS

## ELECTRICAL

FREQUENCY: DC-18 GHZ, UP TO 27 GHZ IF MODIFIED  
 IMPEDANCE: 50 OHMS  
 VRMS: 500 VOLTS

## MECHANICAL

MATERIALS BODY: BRASS, PLATED GOLD,  
 STAINLESS STEEL OR PASSIVATED  
 MALE CONTACTS: BRASS OR BeCu  
 FEMALE CONTACTS: BeCu  
 GASKETS: SILICONE RUBBER  
 INSULATOR: TEFLON



				<b>FAIRVIEW MICROWAVE INC.</b>	
				ALLEN, TX 75013 WWW.FAIRVIEWMICROWAVE.COM	
				TITLE	
				<b>SMA-F</b>	
SIZE	CAGE CODE	DWG NO	REV		
<b>A</b>	<b>3FKR5</b>	<b>SMA-F CONNECTOR</b>	<b>A</b>		
SCALE			SHEET		