

SPECIFICATIONS

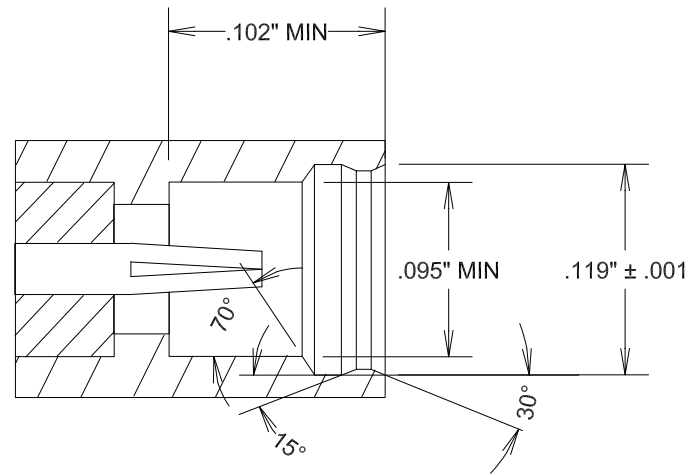
ELECTRICAL

FREQUENCY: DC-6 GHZ
 IMPEDANCE: 50 OHMS
 VRMS: 170 VOLTS

MECHANICAL

MATERIALS BODY: NICKEL, GOLD PLATED, OR BRASS
 MALE CONTACTS: BRASS OR BeCu
 FEMALE CONTACTS: BeCu
 CONTACT PLATING: GOLD
 GASKETS: SILICONE RUBBER
 INSULATOR: TEFLON

MMCX-JACK



				FAIRVIEW MICROWAVE INC.	
				ALLEN, TX 75013 WWW.FAIRVIEWMICROWAVE.COM	
				TITLE	
				MMCX JACK	
SIZE	CAGE CODE	DWG NO	REV		
A	3FKR5		MMCX JACK		
SCALE			SHEET		