

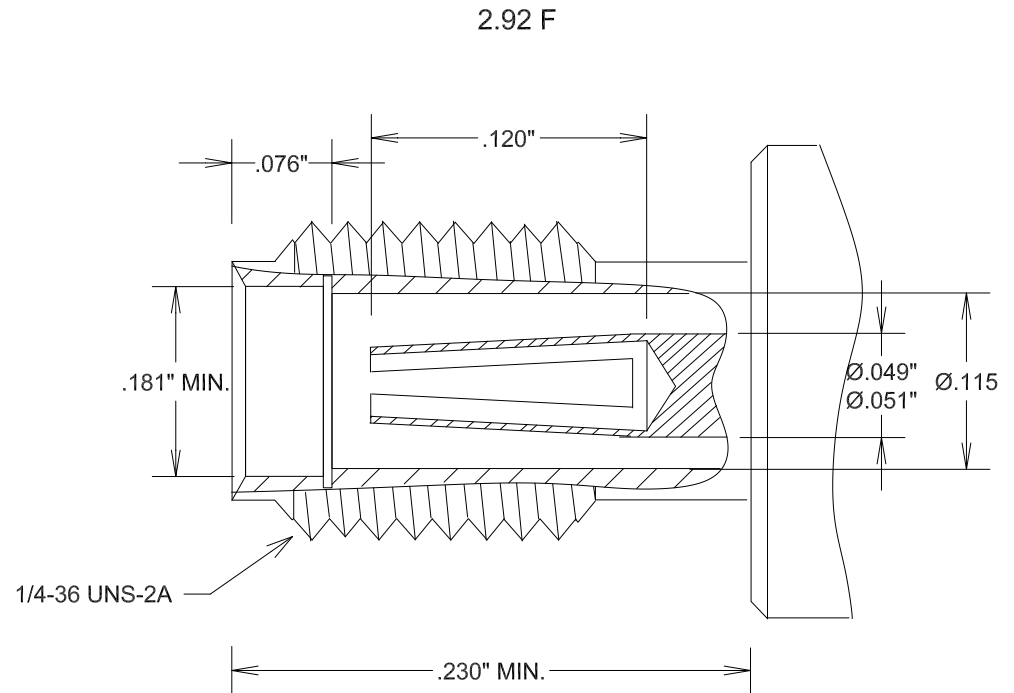
SPECIFICATIONS

ELECTRICAL

FREQUENCY: DC-40 GHZ
 IMPEDANCE: 50 OHMS

MECHANICAL

MATERIALS BODY: PASSIVATED PER ASTM A380
 MATERIALS CONTACT: PLATED PER MIL-G-45204
 BeCu PER ASTM-B-196
 PER QQ-C-530
 DURABILITY: 500 CYCLES MINIMUM
 TORQUE: 4.0 INCH-OUNCES MINIMUM
 MATING TORQUE: 8-10 INCH LBS



				FAIRVIEW MICROWAVE INC.	
				ALLEN, TX 75013 WWW.FAIRVIEWMICROWAVE.COM	
				TITLE	
				2.92 F	
SIZE	CAGE CODE	DWG NO	REV		
A	3FKR5	2.92-F CONNECTOR			
SCALE			SHEET		