

SPECIFICATIONS

ELECTRICAL

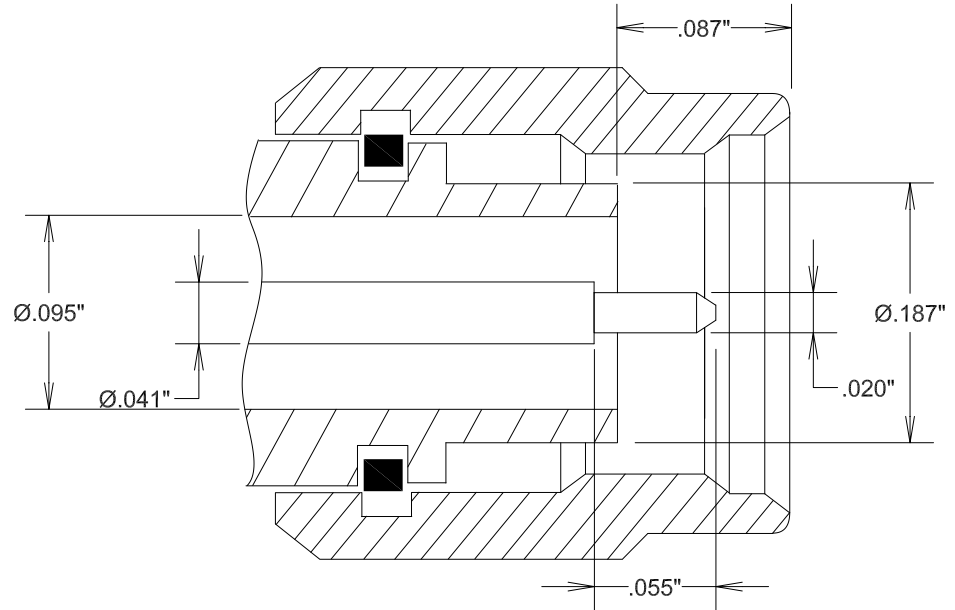
FREQUENCY: DC-50 GHZ
 IMPEDANCE: 50 OHMS

MECHANICAL

MATERIALS BODY: PASSIVATED PER ASTM A380
 MATERIALS CONTACT: PLATED PER MIL-G-45204
 PER QQ-N-290
 DURABILITY: 500 CYCLES MINIMUM
 TORQUE: 4.0 INCH-OUNCES MINIMUM
 MATING TORQUE: 8-10 INCH LBS

ENVIRONMENTAL:
 MIL-STD-202

2.4 MALE



FAIRVIEW MICROWAVE INC.

ALLEN, TX 75013 WWW.FAIRVIEWMICROWAVE.COM

TITLE

2.4 MALE

SIZE	CAGE CODE	DWG NO	REV
A	3FKR5	2.4 CONNECTOR	
SCALE	SHEET		