

TAPPERS 380-2700MHZ

SMT2700-XX

SPECIFICATIONS

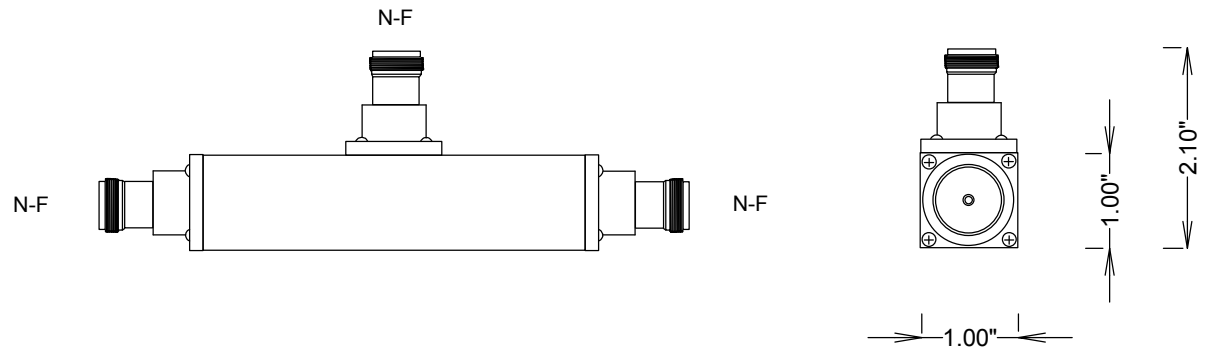
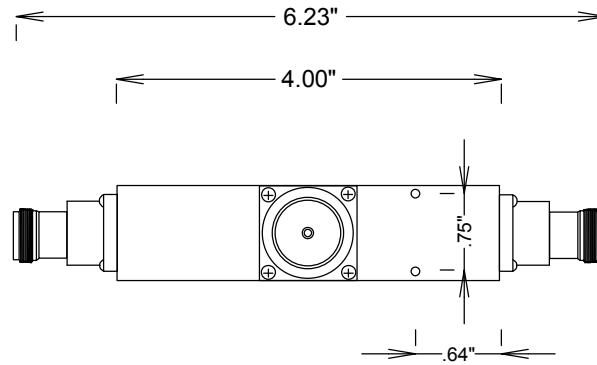
ELECTRICAL

FREQUENCY: 380-2700 MHZ BRANCH
 FREQUENCY: 148-2700 MHZ MAIN
 EXCEPTION, BOTH: 1550-1650 MHZ
 POWER: 500W AVG
 IMPEDANCE: 50 OHM
 PIM <150dBc
 LOSS: .2DB MAX
 VSWRin: 1.45:1 MAX -5
 VSWRin: 1.35:1 MAX -6
 VSWRin: 1.30:1 MAX -8
 VSWRin: 1.25:1 MAX -10
 VSWRin; 1.20:1 MAX -13
 VSWRin: 1.20:1 MAX -15

MECHANICAL

HOUSING: PASSIVATED ALUMINUM
 CONNECTORS: N-FEMALE, SI OR TRIPLATE
 TEMP: -35DEG C TO +75 DEG C, IP68

-5 4.7DB 3:1 SPLIT
 -6 6DB 4:1 SPLIT
 -8 8DB 6:1 SPLIT
 -10 10DB 10:1 SPLIT
 -13 13DB 20:1 SPLIT
 -15 15DB 30:1 SPLIT



FAIRVIEW MICROWAVE INC.

ALLEN, TX 75013 WWW.FAIRVIEWMICROWAVE.COM

TITLE

TAPPERS 380-2700MHZ

SIZE	CAGE CODE	DWG NO	REV
A	3FKR5	SMT2700-XX	
SCALE		SHEET	