

# TAPPERS 800-2500MHZ

SMT2500-XX

## SPECIFICATIONS

### ELECTRICAL

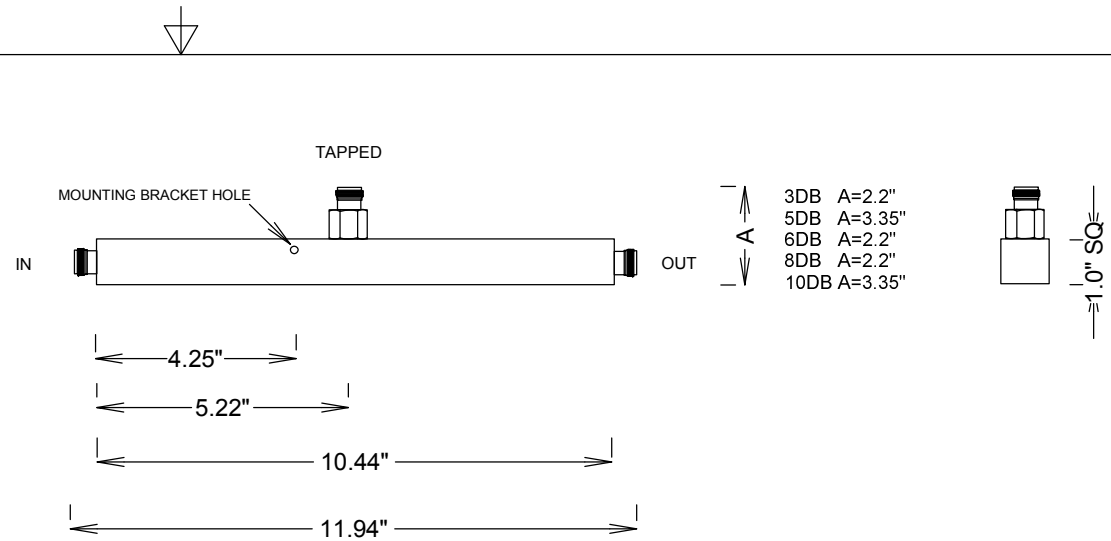
FREQUENCY: 800-2500 MHZ  
 POWER: 300W AVG  
 IMPEDANCE: 50 OHM  
 PIM <150dBc  
 VSWR: 1.30:1 MAX , ALL PORTS  
 DC CONTINUITY: ALL PORTS

### MECHANICAL

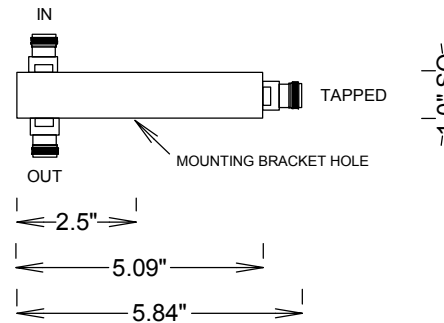
PLATING: IRIDITE/SILVER PLATED  
 CONNECTORS: N-FEMALE, SILVER PLATING  
 TEMP: -35DEG C TO +75 DEG C, IP64

### MOUNTING BRACKET SUPPLIED

-3 3DB 2:1 SPLIT  
 -5 4.7DB 3:1 SPLIT  
 -6 6DB 4:1 SPLIT  
 -8 8DB 6:1 SPLIT  
 -10 10DB 10:1 SPLIT  
 -13 13DB 20:1 SPLIT  
 -15 15DB 30:1 SPLIT



SMT2500 3,5,8,10 DB



SMT2500 13, 15 DB

**FAIRVIEW MICROWAVE INC.**

ALLEN, TX 75013 WWW.FAIRVIEWMICROWAVE.COM

TITLE

**TAPPERS 800-2500MHZ**

SIZE	CAGE CODE	DWG NO	REV
<b>A</b>	<b>3FKR5</b>	<b>SMT2500-XX</b>	
SCALE		SHEET	