

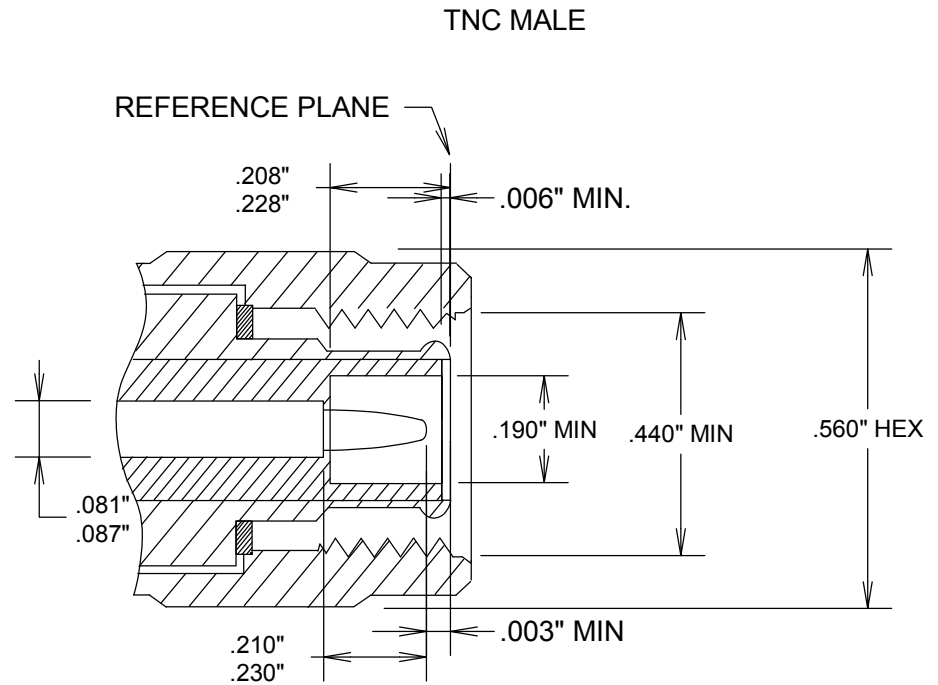
SPECIFICATIONS

ELECTRICAL

FREQUENCY: DC-11 GHZ
 IMPEDANCE: 50 OHMS
 VRMS: 500 V SEA LEVEL

MECHANICAL

MATERIALS BODY: NICKEL, SILVER, OR BRASS
 MALE CONTACTS: BRASS
 FEMALE CONTACTS: BeCu
 GASKETS: SILICONE RUBBER
 INSULATOR: TEFLON



FAIRVIEW MICROWAVE INC.

ALLEN, TX 75013 WWW.FAIRVIEWMICROWAVE.COM

TITLE

TNC-M

SIZE	CAGE CODE	DWG NO	REV
A	3FKR5	TNC-M CONNECTOR	

SCALE

SHEET