

SPECIFICATIONS

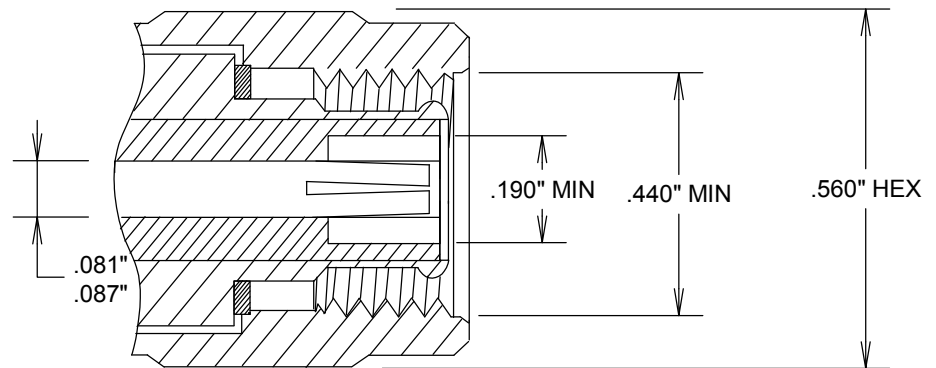
ELECTRICAL

FREQUENCY: DC-11 GHZ
 IMPEDANCE: 50 OHMS
 VRMS: 500 V SEA LEVEL

MECHANICAL

MATERIALS BODY: NICKEL, SILVER, OR BRASS
 MALE CONTACTS: BRASS
 FEMALE CONTACTS: BeCu
 GASKETS: SILICONE RUBBER
 INSULATOR: TEFLON

TNC MALE
 REVERSE POLARITY



				FAIRVIEW MICROWAVE INC.	
				ALLEN, TX 75013 WWW.FAIRVIEWMICROWAVE.COM	
				TITLE	
				TNC-M REVERSE POLARITY	
SIZE		CAGE CODE	DWG NO		REV
A		3FKR5	TNC-M RP		
SCALE				SHEET	