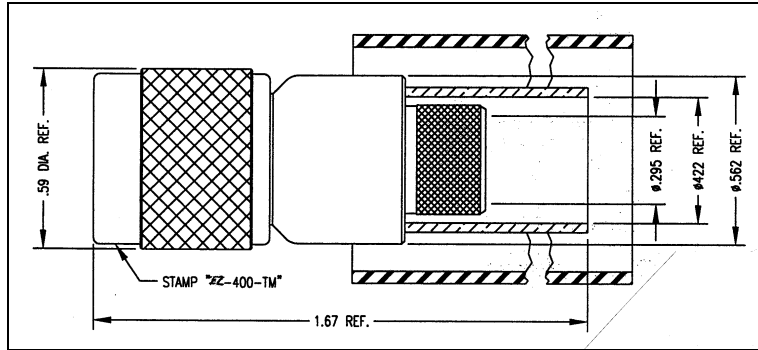


LTR	DESCRIPTION	DATE	BY
-	Released	10/4/97	JCL
A	Revised Materials & Plating; Redrawn	7/18/01	JCL



I. MATERIALS & FINISHES

- center contact: Silver Plated Beryllium Copper (non-solder)
- outer contact: Nickel Plated Brass
- body: Nickel Plated Brass
- coupling nut: Nickel Plated Brass
- crimp sleeve: Nickel Plated Copper
- dielectric: Teflon® PTFE
- gasket: Silicone Rubber
- shrink sleeve: Adhesive Lined Polyolefin
- crimp size: .429" hex

II. ELECTRICAL PROPERTIES

- impedance: 50 ohms
- working voltage: 500 vrms (max)
- vswr: 1.25:1 (max) up to 3GHz
- insertion loss: 0.1 x √Fghz

Unless otherwise specified, dimensions are in inches. Tolerances are applicable when specified.

These drawings and specifications contain proprietary information which is the property of Times Microwave Systems.

Approvals		
Drawn	JCL	10/4/97
Check		
Prj. Mgr.		
Prd. Mgr.		
QA Mgr.		



TIMES MICROWAVE SYSTEMS

Wallingford, CT 06492
 (203) 949-8400; (203) 949-8423.Fax
 www.timesmicrowave.com

EZ-400-TM

Type TNC Male (plug) Non-Solder
 for LMR-400 Cable Type(s)

Size A	CAGE CODE 68999	Drawing No.: 3190-650
Scale: NA	Rev. (A)	Sheet: 1 of 1