

SW137A

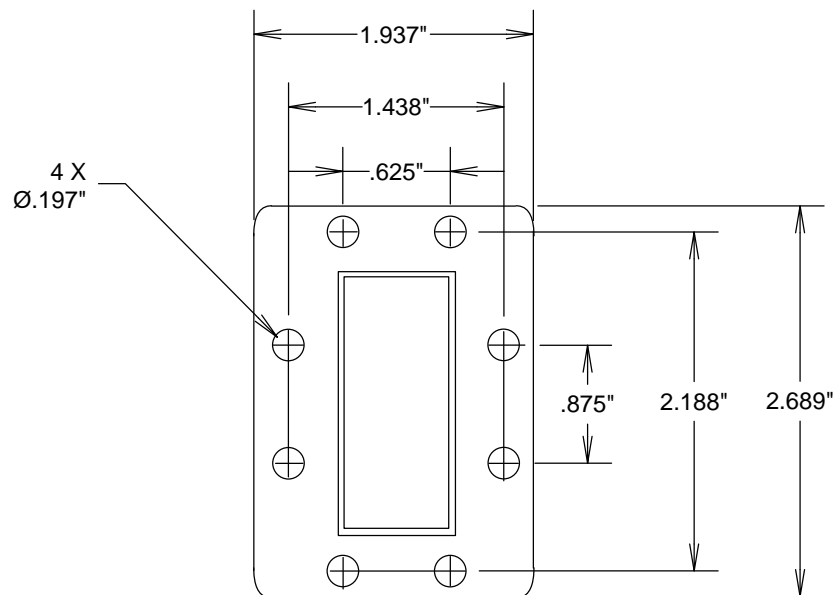
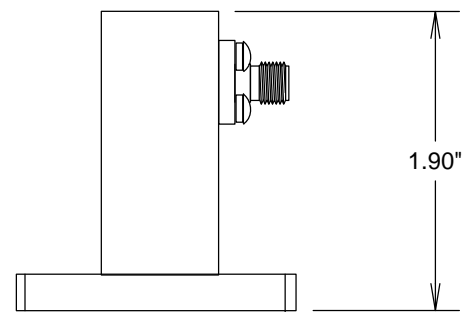
# WR137 to SMA WAVEGUIDE TO COAXIAL ADAPTER

FREQUENCY: 5.85-8.2 GHZ

VSWR: 1.25:1

MATERIAL BODY: AI

MATERIAL CONNECTOR: PASSIVATED  
STAINLESS STEEL



				<b>FAIRVIEW MICROWAVE INC.</b>	
				ALLEN, TX 75013 WWW.FAIRVIEWMICROWAVE.COM	
				TITLE	
				<b>WR137 to SMA WAVEGUIDE TO COAXIAL ADAPTER</b>	
SIZE	CAGE CODE	DWG NO			REV
<b>A</b>	<b>3FKR5</b>	<b>SW137A</b>			--
SCALE			SHEET		