

# TERMINATION N-MALE 150 WATTS 3GHZ

ST3NL-150

## SPECIFICATIONS

### ELECTRICAL:

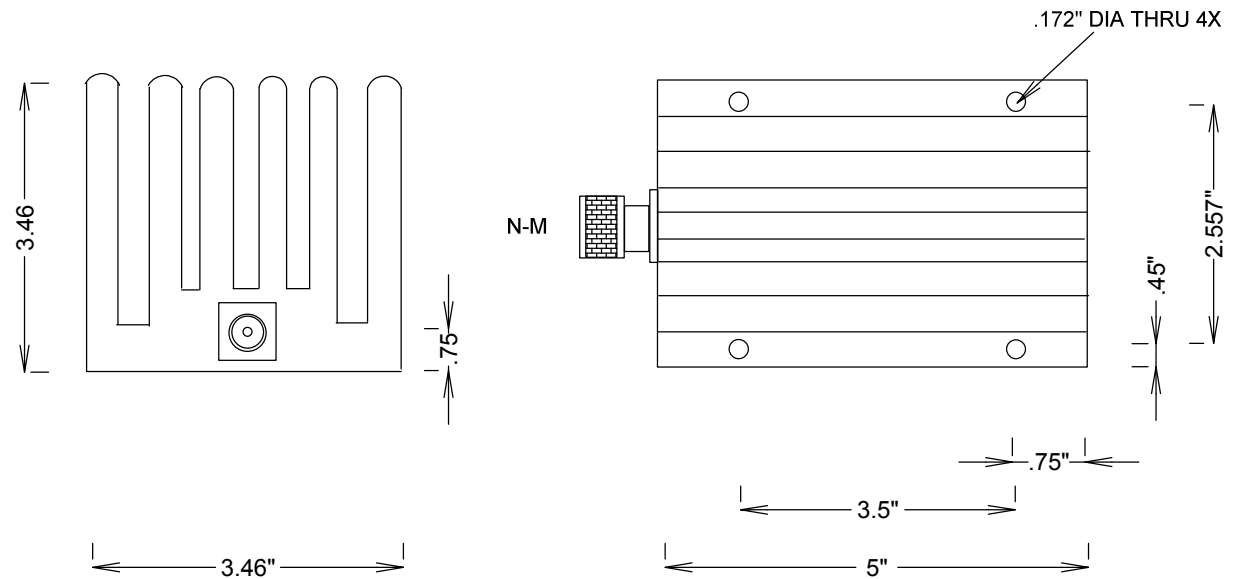
FREQUENCY: 0-3 GHZ  
 VSWR @ 1GHZ: 1.15 MAX  
 VSWR @ 3 GHZ: 1.25:1 MAX  
 POWER (AVG) 150 WATTS @ 25 DEG C  
 POWER (PEAK) 2000 WATTS

IMPEDANCE: 50 OHMS

INTERFACE: MIL-STD-348

### ENVIRONMENTAL:

TEMP: -55 C TO +125 C



**FAIRVIEW MICROWAVE INC.**

ALLEN, TX 75013 WWW.FAIRVIEWMICROWAVE.COM

TITLE

**TERMINATION N-MALE 150 WATTS 3GHZ**

SIZE	CAGE CODE	DWG NO	REV
<b>A</b>	<b>3FKR5</b>	<b>ST3NL-150</b>	<b>A</b>
SCALE		SHEET	