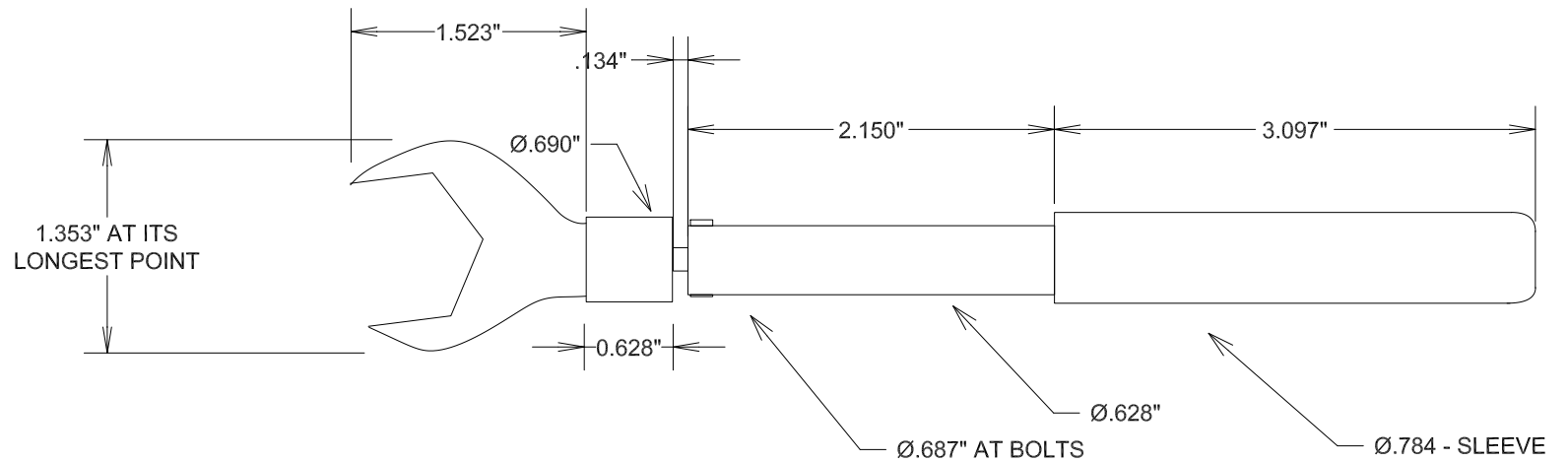


SPECIFICATIONS

LENGTH: 7.50" +/- 4%
 TORQUE: 13 IN-LBS
 HEAD SIZE: .7086" (18mm)



				FAIRVIEW MICROWAVE INC.	
				ALLEN, TX 75013 WWW.FAIRVIEWMICROWAVE.COM	
				TITLE	
				N TORQUE WRENCH 18mm HEAD	
SIZE	CAGE CODE	DWG NO	REV		
A	3FKR5	ST-N3			
SCALE			SHEET		