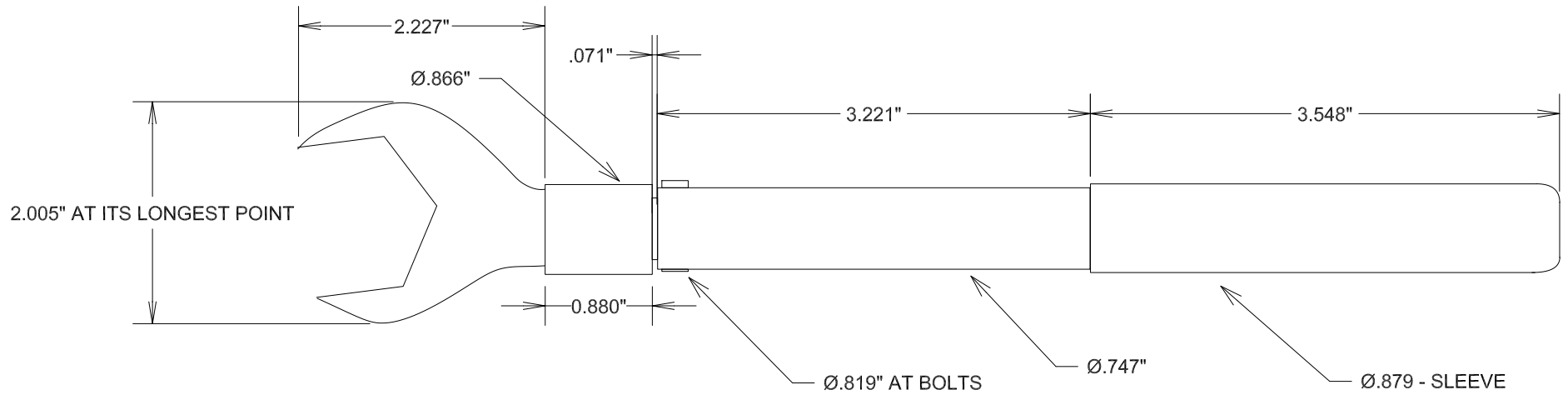


SPECIFICATIONS

LENGTH: 9.75" +/- 4%
 TORQUE: 221 IN-LBS (25Nm)
 HEAD SIZE: 1.26" (32mm)



				FAIRVIEW MICROWAVE INC.	
				ALLEN, TX 75013 WWW.FAIRVIEWMICROWAVE.COM	
				TITLE	
				7/16 TORQUE WRENCH	
SIZE	CAGE CODE	DWG NO	REV		
A	3FKR5	ST-D1			
SCALE			SHEET		