



SSMA-M

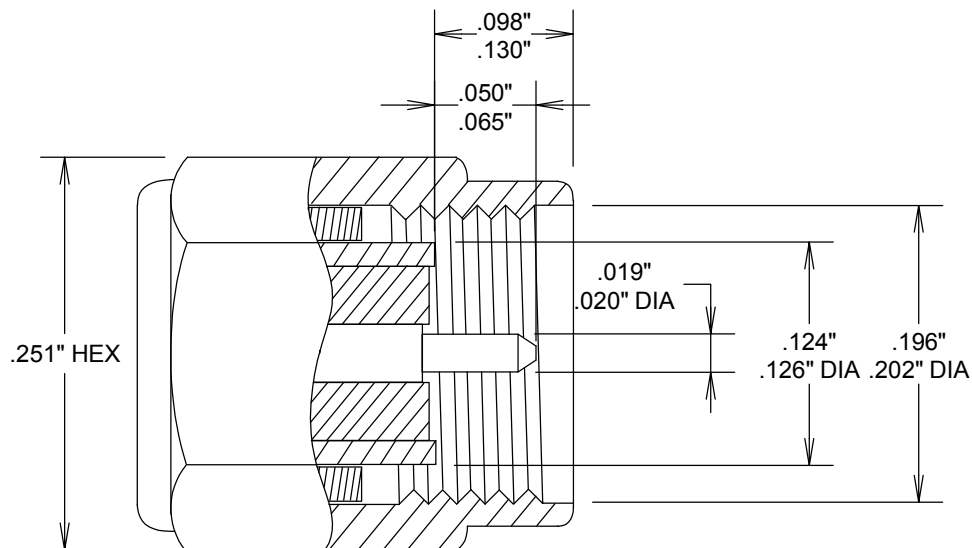
SPECIFICATIONS

ELECTRICAL

FREQUENCY: DC-26 GHZ
IMPEDANCE: 50 OHMS
VRMS: 500 VOLTS

MECHANICAL

MATERIALS BODY: NICKEL OR S STEEL
MALE CONTACTS: Au OR BeCu
FEMALE CONTACTS: Au OR BeCu



FAIRVIEW MICROWAVE INC.

ALLEN, TX 75013 WWW.FAIRVIEWMICROWAVE.COM

TITLE

SSMA-M

SIZE	CAGE CODE	DWG NO	REV
A	3FKR5	SSMA-M CONNECTOR	

SCALE

SHEET