

# SMA 3-WAY RELAY SWITCH

## 12 Vdc "FAILSAFE"

SR18-SMA2

### SPECIFICATIONS

#### ELECTRICAL:

FREQUENCY	DC-4	4-8	8-12.4	12.4-18
VSWR	1.2:1	1.3:1	1.4:1	1.5:1
IL	0.2 dB	0.3 dB	0.4 dB	0.5 dB
ISOLATION	80	70	60	60
AVG POWER	85	55	45	35

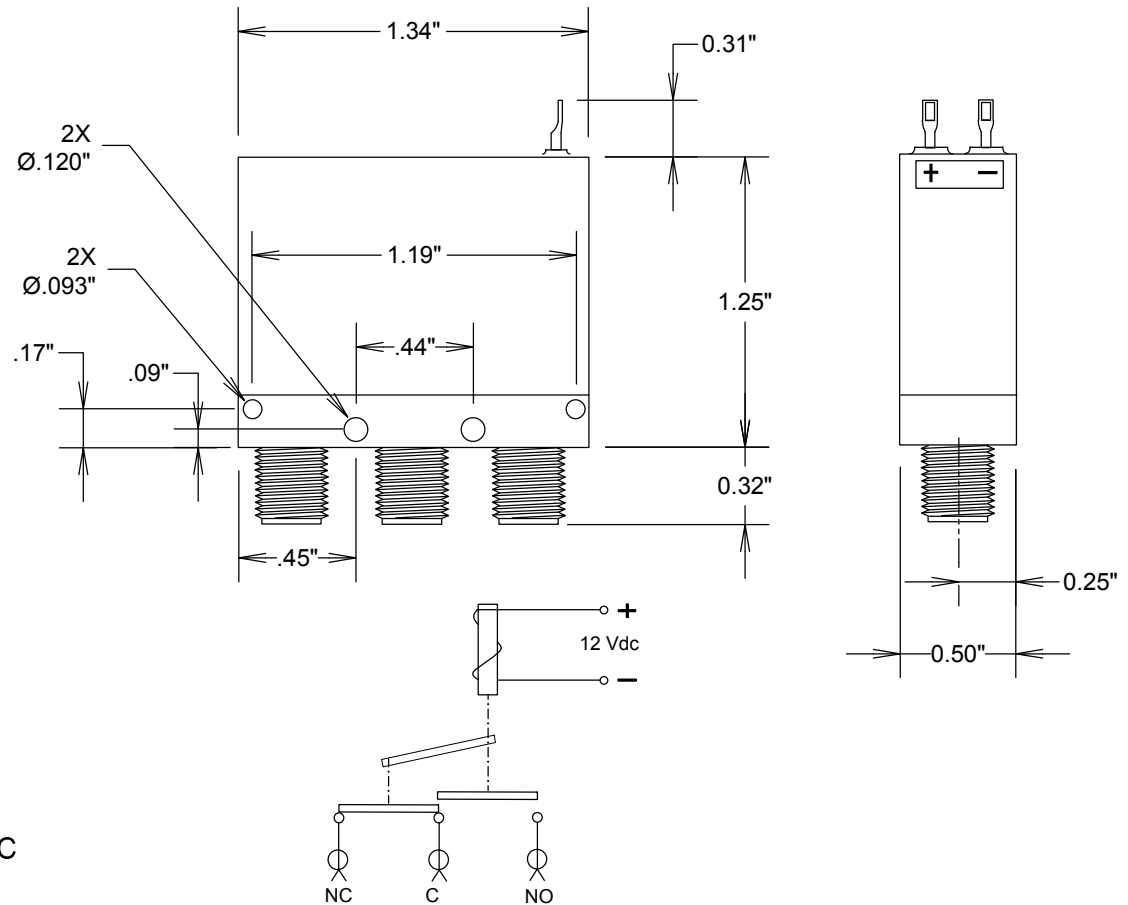
IMPEDANCE: 50 OHMS  
 SWITCHING ACTION: BREAK BEFORE MAKE  
 OPERATING VOLTAGE(OVER TEMP): 10 - 14 Vdc  
 PICKUP VOLTAGE(MAX @ 25°C): 9 Vdc  
 DROPOUT VOLTAGE: > 1.5 Vdc  
 ACTUATING CURRENT(MA MAX): 263 @ 12 Vdc, 25°C  
 SWITCHING TIME(MAX) 15 MSEC

#### MATERIALS

HOUSING: ALUMINUM/NICKEL  
 COVER: ALUMINUM/BLACK ANODIZED  
 CONNECTORS: PASSIVATED STAINLESS STEEL  
 INSULATION: TEFLON  
 CONTACTS: BeCu  
 CONTACT PLATING: Au PER MIL-G-45204  
 TERMINALS: Ni-Fe/Sn-70 SOLDER

#### ENVIRONMENTAL:

OPERATING TEMP: -40°C TO +85°C



SCHEMATIC, DE-ENERGIZED

<b>FAIRVIEW MICROWAVE INC.</b> ALLEN, TX 75013 WWW.FAIRVIEWMICROWAVE.COM				TITLE
				<b>SMA 3-WAY RELAY SWITCH</b> <b>12 Vdc "FAILSAFE"</b>
SIZE	CAGE CODE	DWG NO	REV	
<b>A</b>	<b>3FKR5</b>	<b>SR18-SMA2</b>	<b>--</b>	
SCALE	SHEET			