

SMW112ACN

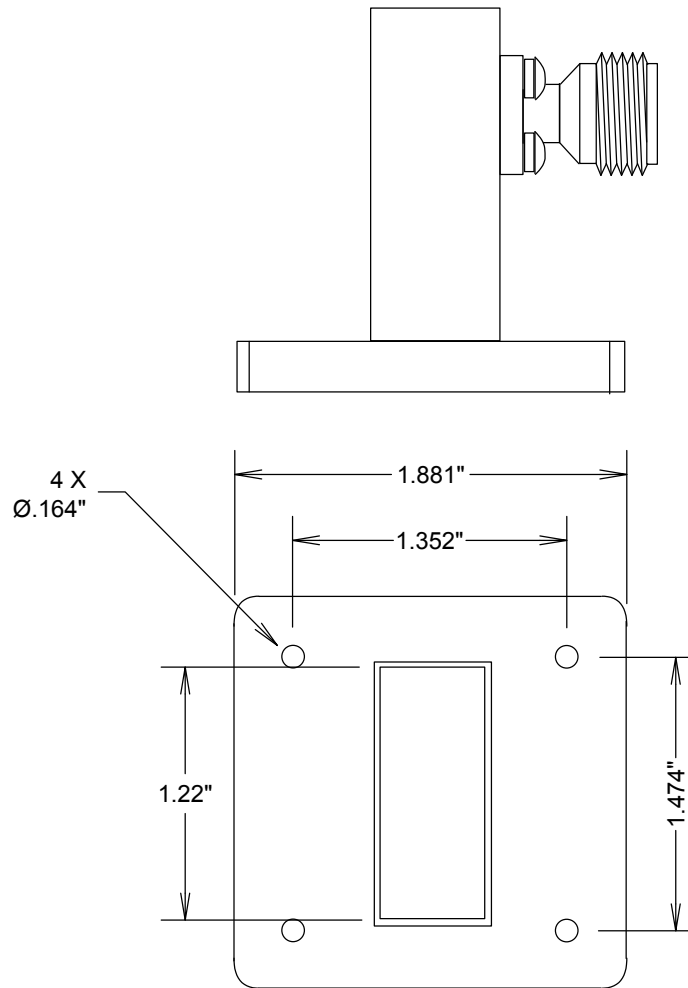
WR112 to N WAVEGUIDE TO COAXIAL ADAPTER

FREQUENCY: 7.05-10 GHZ

VSWR: 1.25:1

MATERIAL BODY: Al/Cu

MATERIAL CONNECTOR: PASSIVATED
STAINLESS STEEL



				FAIRVIEW MICROWAVE INC.	
				ALLEN, TX 75013 WWW.FAIRVIEWMICROWAVE.COM	
				TITLE	
				WR112 to N WAVEGUIDE TO COAXIAL ADAPTER	
SIZE		CAGE CODE	DWG NO	REV	
A		3FKR5	SMW112ACN	--	
SCALE			SHEET		