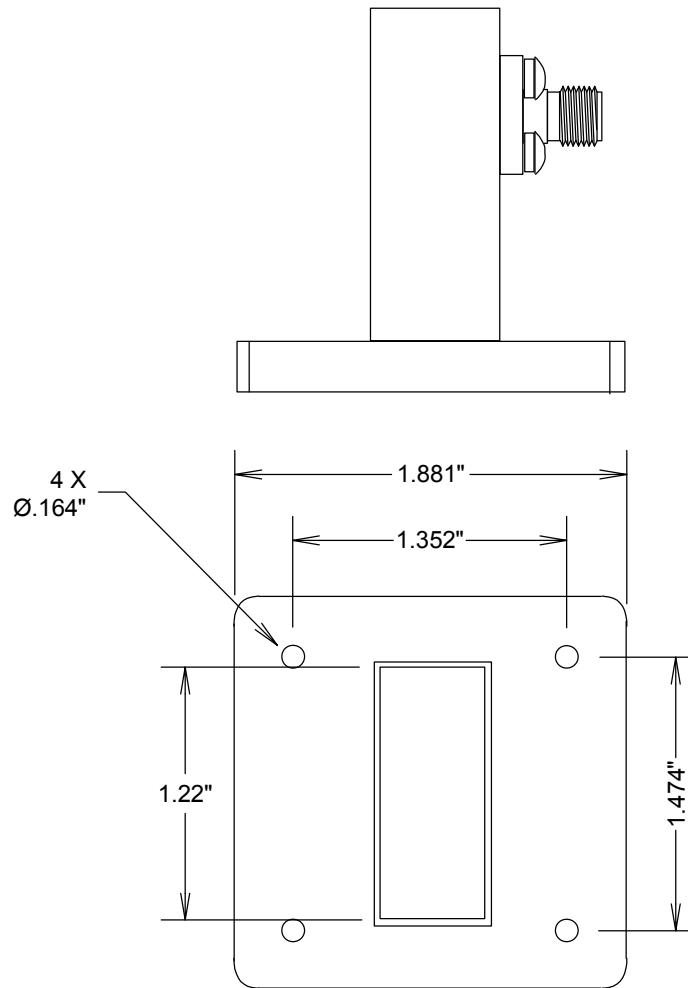


SMW112AC

WR112 to SMA WAVEGUIDE TO COAXIAL ADAPTER

FREQUENCY: 7.05-10 GHZ
VSWR: 1.25:1
MATERIAL BODY: Al/Cu
MATERIAL CONNECTOR: PASSIVATED STAINLESS STEEL



				FAIRVIEW MICROWAVE INC.	
				ALLEN, TX 75013 WWW.FAIRVIEWMICROWAVE.COM	
				TITLE	
				WR112 to SMA WAVEGUIDE TO COAXIAL ADAPTER	
SIZE	CAGE CODE	DWG NO	SMW112AC		REV
A	3FKR5				--
SCALE			SHEET		