

# SPECIFICATIONS

# SMA MALE TO SMA FEMALE PHASE SHIFTER

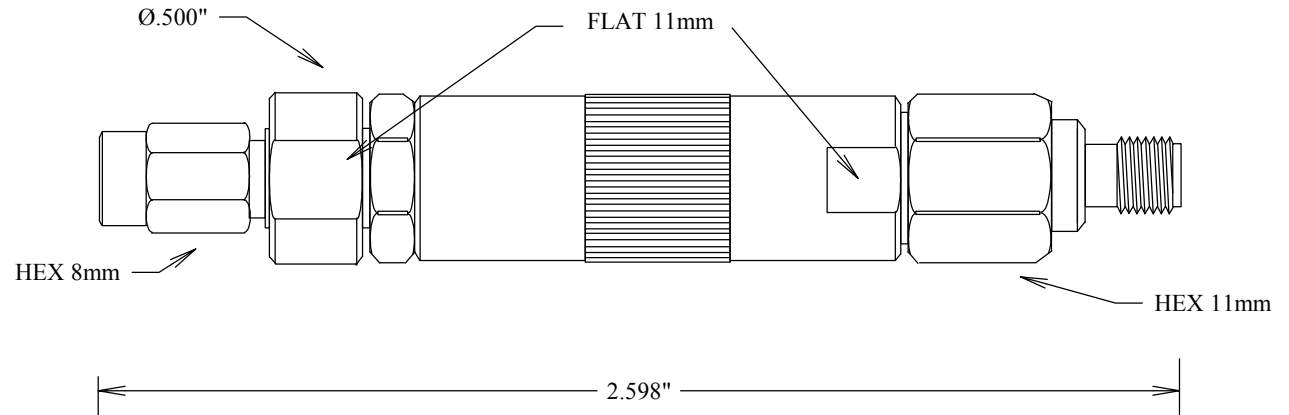
## ELECTRICAL:

FREQUENCY: 0-18 GHZ  
 IMPEDANCE: 50 OHMS  
 VSWR: 1.08 @ 2-5 GHZ  
       1.20 @ 11-14 GHZ  
       1.41 @ 17-18 GHZ

SMP2018

## MECHANICAL:

MATERIAL BODY: S STEEL  
 CENTER CONTACTS: BeCU  
 INSULATOR: TEFLON  
 GASKET: SILICON  
 HEX, COUPLING NUT: S STEEL  
 ROHS COMPLIANT



FREQUENCY	TYPICAL PHASE
1 GHZ	15°
2 GHZ	30°
3 GHZ	45°
4 GHZ	60°
5 GHZ	75°
6 GHZ	90°
7 GHZ	105°
8 GHZ	120°
9 GHZ	135°
10 GHZ	150°
11 GHZ	165°
12 GHZ	180°
13 GHZ	195°
14 GHZ	210°
15 GHZ	225°
16 GHZ	240°
17 GHZ	255°
18 GHZ	270°

				<b>FAIRVIEW MICROWAVE INC.</b>	
				ALLEN, TX 75013 WWW.FAIRVIEWMICROWAVE.COM	
				TITLE	
				<b>SMA MALE TO SMA FEMALE PHASE SHIFTER</b>	
SIZE	CAGE CODE	DWG NO			REV
<b>A</b>	<b>3FKR5</b>	<b>SMP2018</b>			
SCALE			SHEET		