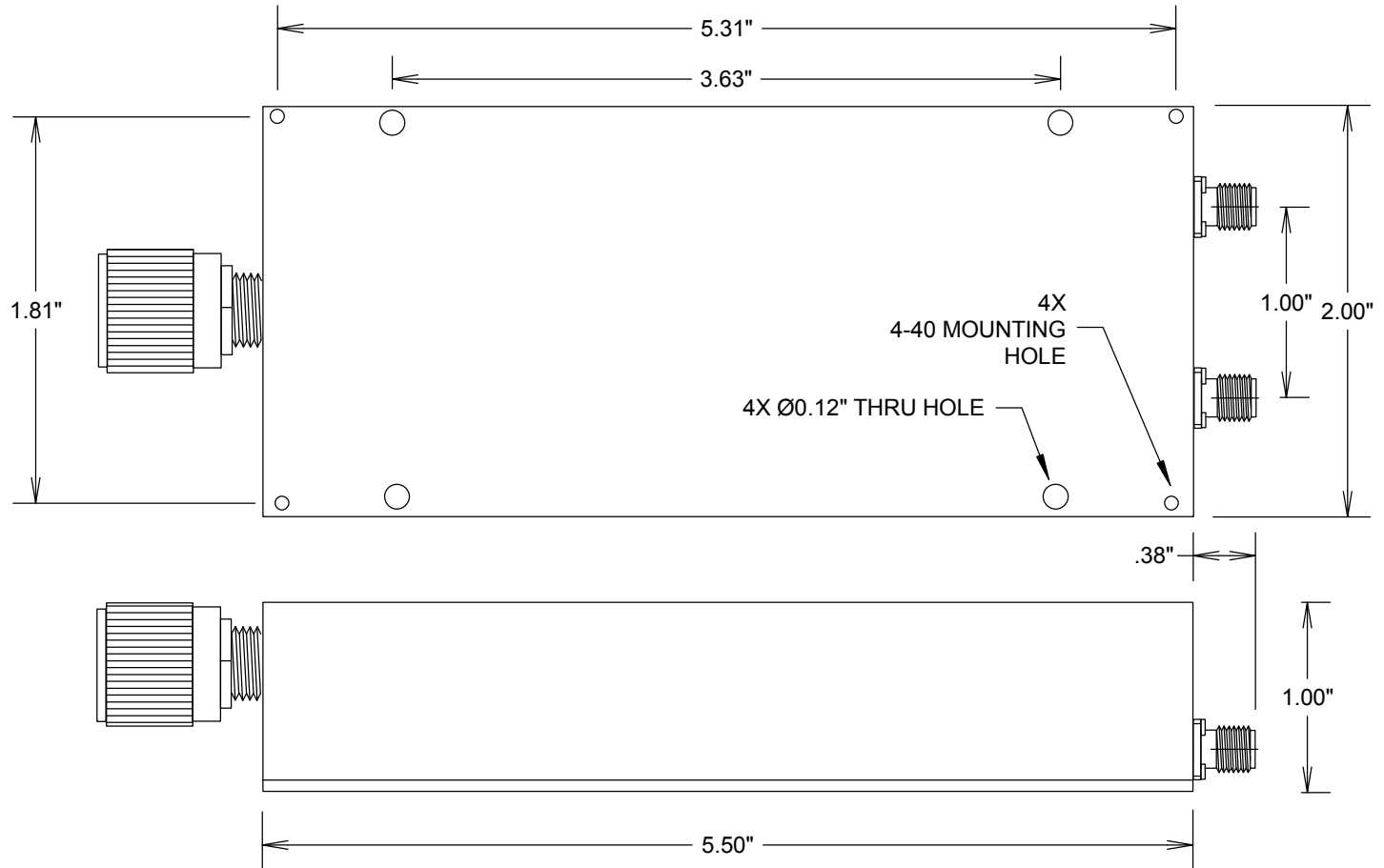
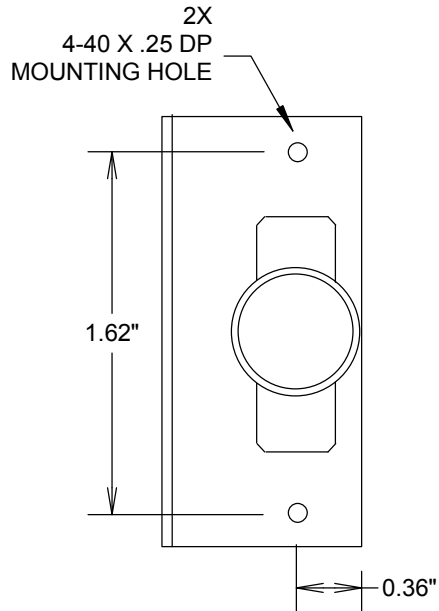


SMA F'S 60° PHASESHIFTERS DC-18 GHZ

SMP1801



SPECIFICATIONS

ELECTRICAL:

FREQUENCY: DC-18 GHZ
 VSWR 1.6:1 MAX
 POWER CW: 100 WATTS
 POWER PEAK: 3KW
 IMPEDANCE: 50 OHMS
 INSERTION LOSS: 1.0 DB MAX
 MIN. ADJUSTABLE PHASE SHIFT: 0 TO 60°/GHZ
 INSERTION PHASE @ 1 GHZ: 320°(MIN SETTING)

MATERIAL CONNECTORS: STAINLESS STEEL
 MATERIAL BODY: ALUMINUM

FAIRVIEW MICROWAVE INC.

ALLEN, TX 75013 WWW.FAIRVIEWMICROWAVE.COM

TITLE

SMA F'S 60° PHASESHIFTERS DC-18 GHZ

SIZE	CAGE CODE	DWG NO	REV
A	3FKR5	SMP1801	--
SCALE		SHEET	