

# COUPLER N 800-2500 MHZ N-F'S

SMC4035

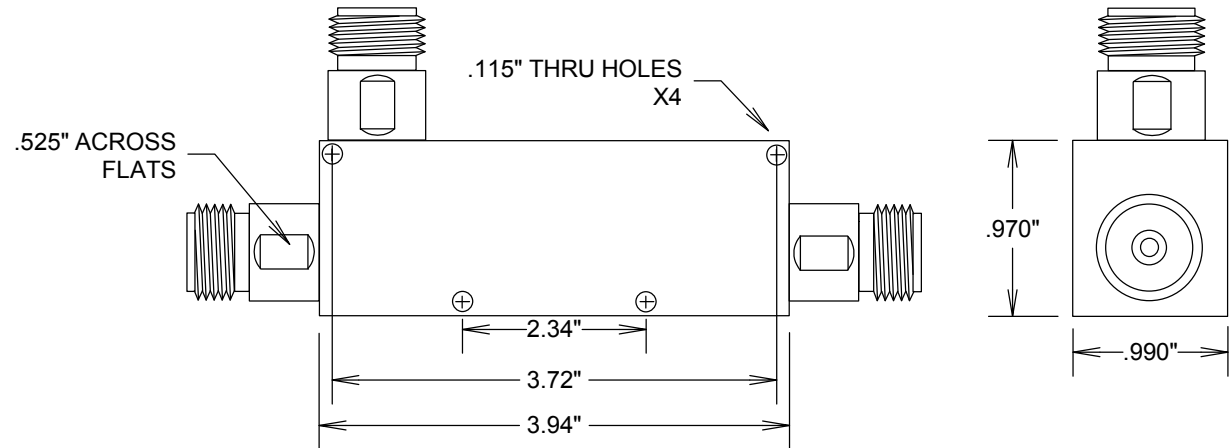
## SPECIFICATIONS

### ELECTRICAL

FREQUENCY: 800-2500 MHZ  
 DIRECTIVITY: 20 DB  
 POWER: 60 W AVG  
 IMPEDANCE: 50 OHMS  
 VSWR: 1.25  
 INSERTION LOSS: 0.4-0.5 DB  
 COUPLING:  
     6 DB: 6 +/- 0.5 DB  
     10 DB: 10 +/- 0.8 DB  
     15 DB: 15 +/- 1.0 DB  
     20 DB: 20 +/- 1.0 DB

### MECHANICAL

MATERIALS BODY: ALUMINUM  
 CONNECTORS: NICKEL PLATED BRASS  
 CONTACTS: BeCu  
 DIELECTRIC: TEFLON  
  
 INTERFACE: MIL-STD-348  
 IN ACCORDANCE WITH: MIL-PRF-39012



				<b>FAIRVIEW MICROWAVE INC.</b>	
				ALLEN, TX 75013 <a href="http://WWW.FAIRVIEWMICROWAVE.COM">WWW.FAIRVIEWMICROWAVE.COM</a>	
				TITLE	
				<b>COUPLER N 800-2500 MHZ N-F'S</b>	
		SIZE	CAGE CODE	DWG NO	REV
		<b>A</b>	<b>3FKR5</b>	<b>SMC4035</b>	
				SCALE	SHEET