

# N-F BULKHEAD .141" SR DIRECT SOLDER

SMC4032N

## SPECIFICATIONS

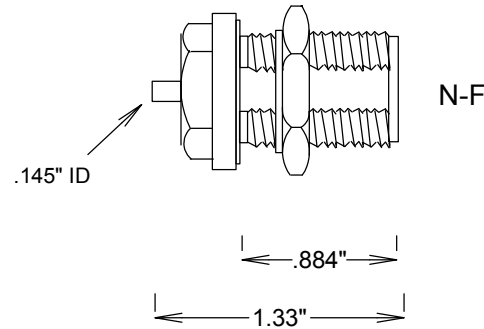
### ELECTRICAL:

FREQUENCY: 0-11 GHZ  
VSWR 1.3:1 MAX  
IMPEDANCE: 50 OHMS

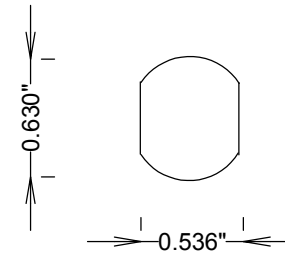
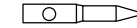
### MECHANICAL:

MATERIAL BODY: PASS S STEEL  
CENTER CONTACT: BeCu  
CONTACT PLATING: Au MIL-G-45204  
INSULATOR: TEFLON  
INTERFACE: MIL-STD-348B  
ROHS COMPLIANT  
OP. TEMP RANGE: -55°C- +155°C

MAX PANEL: 0.25"



N-F



RECOMMENDED  
PANEL CUTOUT

**FAIRVIEW MICROWAVE INC.**

ALLEN, TX 75013 WWW.FAIRVIEWMICROWAVE.COM

TITLE

**N-F BULKHEAD .141" SR DIRECT SOLDER**

SIZE	CAGE CODE	DWG NO	REV
<b>A</b>	<b>3FKR5</b>	<b>SMC4032N</b>	--

SCALE

SHEET