

COUPLER N 800-2500 MHZ N-F'S

SMC4030

SPECIFICATIONS

ELECTRICAL

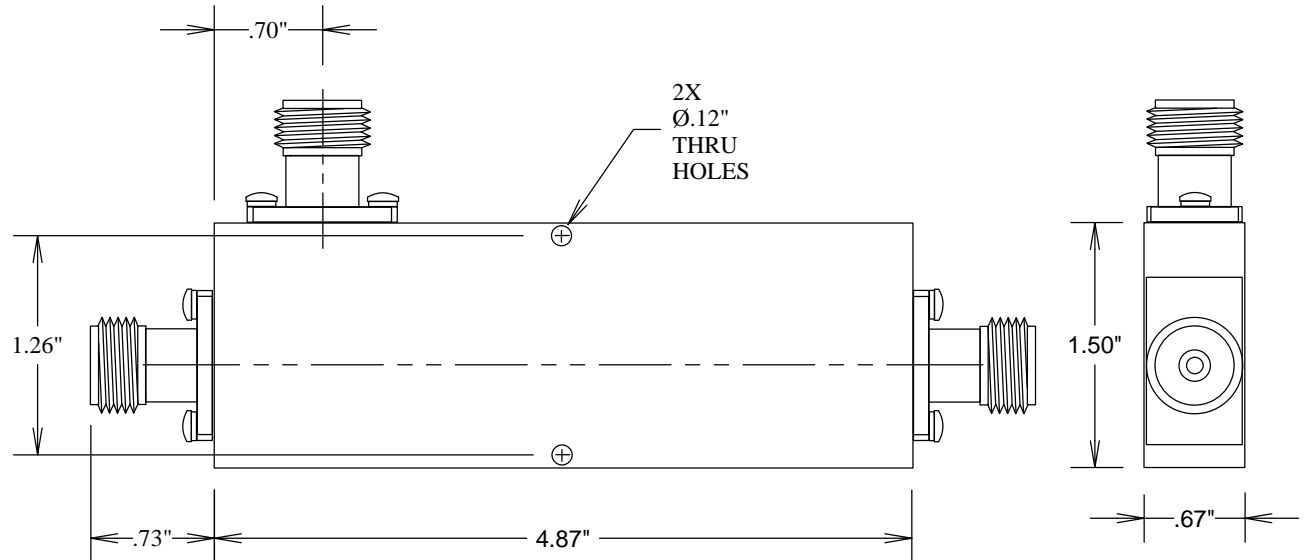
FREQUENCY: 800-2500 MHZ
 DIRECTIVITY: 18 DB
 POWER: 100 W AVG
 IMPEDANCE: 50 OHMS
 VSWR: 1.3:1
 DISSIPATIVE LOSS: 0.4-0.5 DB (MAIN)
 COUPLING:
 6 DB: 6 ± 0.8 DB
 8.5 DB: 8.5 ± 0.8 DB
 10 DB: 10 ± 1.0 DB
 15 DB: 15 ± 1.0 DB
 20 DB: 20 ± 1.0 DB
 30 DB: 30 ± 1.0 DB

MECHANICAL

MATERIALS BODY: PASSIVATED ALUMINUM
 CONNECTORS: TRIMETAL PLATED BRASS
 CONTACTS: Au PLATED BeCu PER MIL-G-45204
 DIELECTRIC: TEFLON

OPERATING TEMP: -25°C TO +55°C, INDOOR

NOTE: POWER MAY BE LIMITED BY FEEDING
 INTO POORLY MATCHED LOADS OVERLOADING
 INTERNAL 2W TERMINATION



FAIRVIEW MICROWAVE INC.

ALLEN, TX 75013 WWW.FAIRVIEWMICROWAVE.COM

TITLE

COUPLER N 800-2500 MHZ N-F'S

SIZE	CAGE CODE	DWG NO	REV
A	3FKR5	SMC4030	--

SCALE

SHEET