

# SMA-M CONN .047SR DIRECT SOLDER

SMC047

## SPECIFICATIONS

### ELECTRICAL:

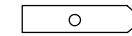
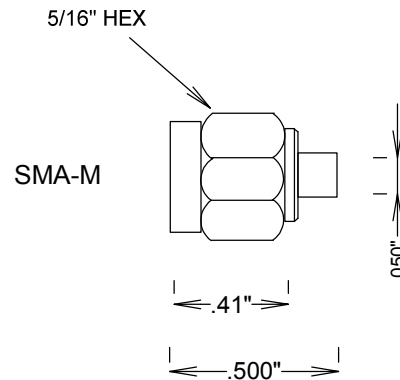
FREQUENCY: 0-18 GHZ  
 VSWR 1.3:1 MAX  
 IMPEDANCE: 50 OHMS  
 OP. TEMP RANGE: -55C- +155C

### MECHANICAL:

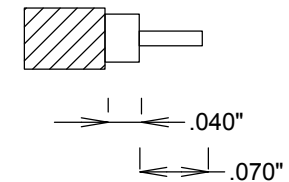
MATERIAL BODY: NICKLE PLATED BRASS  
 CENTER CONTACT: BRASS  
 CONTACT PLATING: Au MIL-G-45204  
 INSULATOR: TEFLON  
 INTERFACE: MIL-STD-348  
 ROHS COMPLIANT

### ASSEMBLY

TRIM CABLE AS SHOWN,  
 INSERT CABLE INTO CONTACT,  
 SOLDER PIN TO CENTER CONDUCTOR LEAVING  
 15 MIL GAP BETWEEN PIN & CABLE INSULATOR,  
 PRESS CONTACT INTO INSULATOR WITH TOOL,  
 SOLDER CABLE JACKET



PIN



RECOMMENDED  
STRIPPING

				<b>FAIRVIEW MICROWAVE INC.</b>			
				ALLEN, TX 75013 WWW.FAIRVIEWMICROWAVE.COM			
				TITLE			
				<b>SMA-M CONN .047SR DIRECT SOLDER</b>			
SIZE		CAGE CODE		DWG NO		REV	
<b>A</b>		<b>3FKR5</b>		<b>SMC047</b>		--	
SCALE				SHEET			