

# SPECIFICATIONS

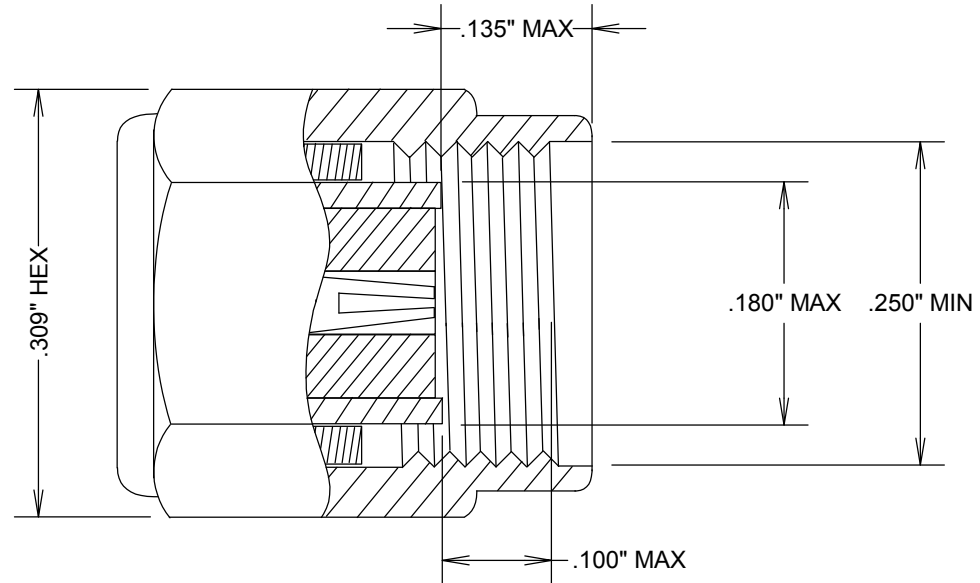
## ELECTRICAL

FREQUENCY: DC-18 GHZ  
 IMPEDANCE: 50 OHMS  
 VRMS: 500 VOLTS

## MECHANICAL

MATERIALS BODY: BRASS, PLATED  
 SILVER, OR NICKEL  
 MALE CONTACTS: BRASS OR BeCu  
 FEMALE CONTACTS: BeCu  
 GASKETS: SILICONE RUBBER  
 INSULATOR: TEFLON

SMA-M  
 REVERSE POLARITY



**FAIRVIEW MICROWAVE INC.**  
 ALLEN, TX 75013 WWW.FAIRVIEWMICROWAVE.COM

TITLE

**SMA-M REVERSE POLARITY**

SIZE	CAGE CODE	DWG NO	REV
<b>A</b>	<b>3FKR5</b>	<b>SMA-M RP</b>	
SCALE	SHEET		