

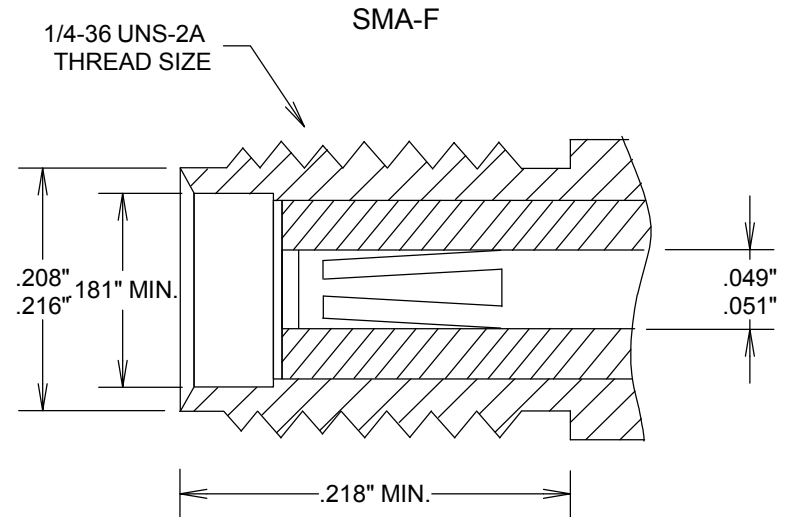
SPECIFICATIONS

ELECTRICAL

FREQUENCY: DC-18 GHZ, UP TO 27 GHZ IF MODIFIED
 IMPEDANCE: 50 OHMS
 VRMS: 500 VOLTS

MECHANICAL

MATERIALS BODY: BRASS, PLATED GOLD,
 STAINLESS STEEL OR PASSIVATED
 MALE CONTACTS: BRASS OR BeCu
 FEMALE CONTACTS: BeCu
 GASKETS: SILICONE RUBBER
 INSULATOR: TEFLON



				FAIRVIEW MICROWAVE INC.	
				ALLEN, TX 75013 WWW.FAIRVIEWMICROWAVE.COM	
				TITLE	
				SMA-F	
SIZE	CAGE CODE	DWG NO			REV
A	3FKR5	SMA-F CONNECTOR			A
SCALE			SHEET		