

ADAPTER MINISMP/F-SMA/M 26.5GHZ

SM8906

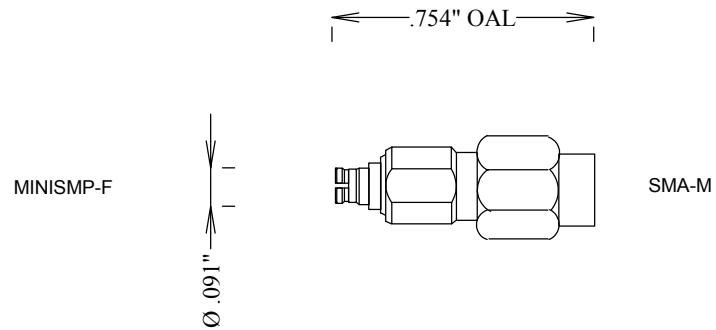
SPECIFICATIONS

ELECTRICAL:

FREQUENCY: 0-26.5 GHZ
 IMPEDANCE: 50 OHMS
 VSWR: 1.2:1 MAX

MECHANICAL:

MATERIAL MSMP BODY: BeCu
 MATERIAL SMA BODY: PASS S STEEL
 CENTER CONTACT SMP: BeCu
 CENTER CONTACT SMA: BRASS
 CONTACT PLATING: Au PER MIL-G-45204
 INSULATOR: PTFE
 INTERFACE: SMA MIL-STD-348B
 OP. TEMP RANGE: -55° to +125°C
 ROHS COMPLIANT



				FAIRVIEW MICROWAVE INC.	
				ALLEN, TX 75013 WWW.FAIRVIEWMICROWAVE.COM	
				TITLE	
				ADAPTER MINISMP/F-SMA/M 26.5GHZ	
SIZE		CAGE CODE	DWG NO	REV	
A		3FKR5	SM8906	--	
SCALE			SHEET		