

# ADAPTER SMP/F-2.4mm 40GHZ

SM8867

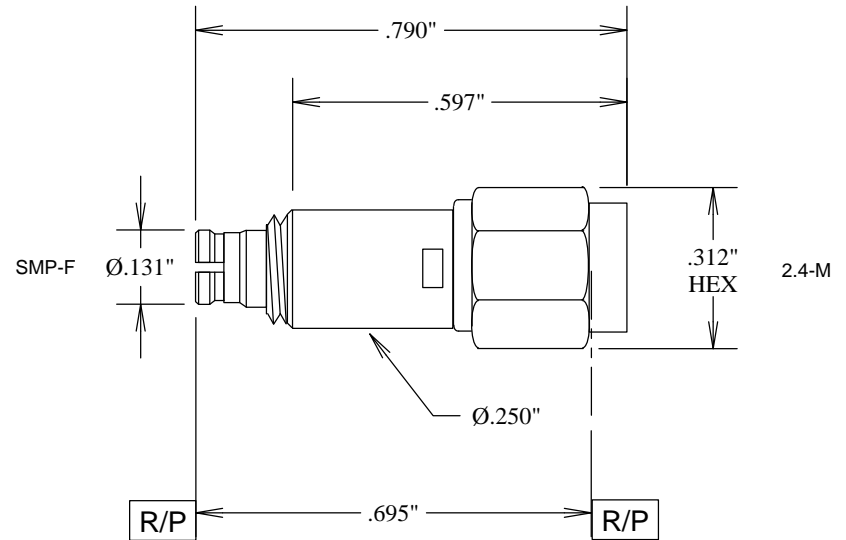
## SPECIFICATIONS

### ELECTRICAL:

FREQUENCY: 0-40 GHZ  
 IMPEDANCE: 50 OHMS  
 VSWR: 1.25:1 MAX

### MECHANICAL:

MATERIAL SMP BODY: BeCu  
 MATERIAL 2.4 BODY: PASS S STEEL  
 CENTER CONTACTS: BeCu  
 PLATING: Au PER MIL-G-45204  
 INSULATOR: PTFE  
 INTERFACE: 2.4 MIL-STD-348B  
 OP. TEMP RANGE: -55° to +125°C  
 ROHS COMPLIANT



**FAIRVIEW MICROWAVE INC.**

ALLEN, TX 75013 WWW.FAIRVIEWMICROWAVE.COM

TITLE

**ADAPTER SMP/F-2.4mm 40GHZ**

SIZE <b>A</b>	CAGE CODE <b>3FKR5</b>	DWG NO <b>SM8867</b>	REV <b>A</b>
------------------	---------------------------	-------------------------	-----------------

SCALE	SHEET
-------	-------