

ADAPTER SMP/M FULL DET-2.92/F 40GHZ

SM8854

SPECIFICATIONS

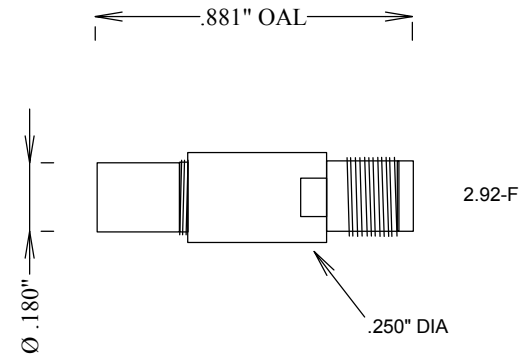
ELECTRICAL:

FREQUENCY: 0-40 GHZ
 IMPEDANCE: 50 OHMS
 VSWR: 1.25:1 MAX

MECHANICAL:

MATERIAL SMP BODY: BeCu
 MATERIAL 2.92 BODY: PASS S STEEL
 CENTER CONTACTS: BeCu
 PLATING: Au PER MIL-G-45204
 INSULATOR: PTFE
 INTERFACE: SMP DESC 94007
 INTERFACE: 2.92 MIL-STD-348B
 OP. TEMP RANGE: -55° to +125°C
 ROHS COMPLIANT
 FORCE TO ENGAGE: 15.0 LBS MAX
 FORCE TO DISENGAGE: 5.0 LBS MIN

SMP-M
 DESC 94007



FAIRVIEW MICROWAVE INC.

ALLEN, TX 75013 WWW.FAIRVIEWMICROWAVE.COM

TITLE

ADAPTER SMP/M FULL DET-2.92/F 40GHZ

SIZE A	CAGE CODE 3FKR5	DWG NO SM8854	REV A
------------------	---------------------------	-------------------------	-----------------

SCALE	SHEET
-------	-------