

# ADAPTER SMP/M-SMA/F 26.5GHZ FULL DETENTE

SM8841

## SPECIFICATIONS

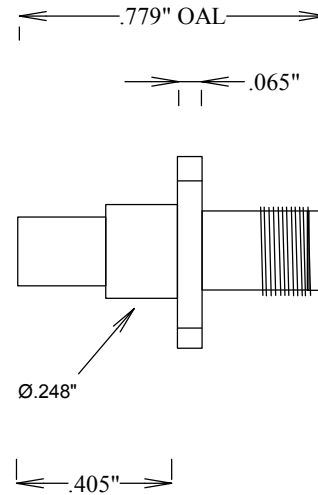
### ELECTRICAL:

FREQUENCY: 0-26.5 GHZ  
 IMPEDANCE: 50 OHMS  
 VSWR: 1.2:1 MAX

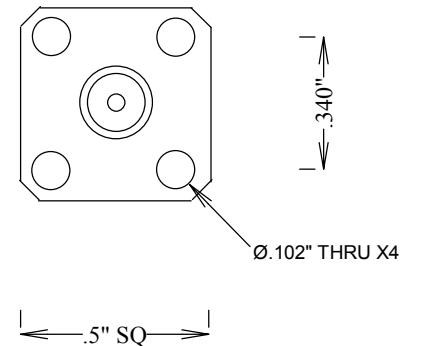
### MECHANICAL:

MATERIAL SMP BODY: BeCu  
 MATERIAL SMA BODY: PASS S STEEL  
 CENTER CONTACTS: BeCu  
 CONTACT PLATING: Au PER MIL-G-45204  
 INSULATOR: PTFE  
 INTERFACE: SMP DESC 94007  
 INTERFACE: SMA MIL-STD-348B  
 OP. TEMP RANGE: -55° to +125°C  
 ROHS COMPLIANT  
 SMP FORCE TO ENGAGE: 15.0 LBS MAX  
 SMP FORCE TO DISENGAGE: 5.0 LBS MIN  
 FULL DETENTE

MMS-P-M  
 DESC 94007



SMA-F



**FAIRVIEW MICROWAVE INC.**

ALLEN, TX 75013 WWW.FAIRVIEWMICROWAVE.COM

TITLE

**ADAPTER SMP/M-SMA/F  
 26.5GHZ FULL DETENTE**

|          |              |               |     |
|----------|--------------|---------------|-----|
| SIZE     | CAGE CODE    | DWG NO        | REV |
| <b>A</b> | <b>3FKR5</b> | <b>SM8841</b> | --  |

|       |       |
|-------|-------|
| SCALE | SHEET |
|-------|-------|