

ADAPTER SMP/F-SMA/F 26.5GHZ

SM8805

SPECIFICATIONS

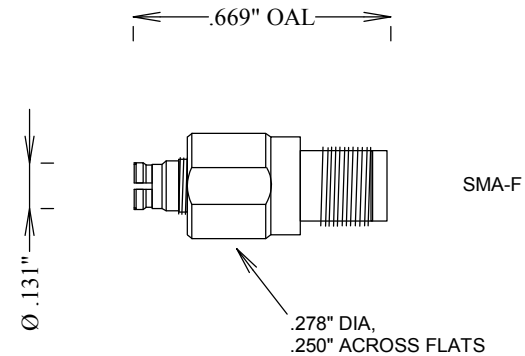
ELECTRICAL:

FREQUENCY: 0-26.5 GHZ
 IMPEDANCE: 50 OHMS
 VSWR: 1.2:1 MAX

MECHANICAL:

MATERIAL SMP BODY: BeCu
 MATERIAL SMA BODY: PASS S STEEL
 CENTER CONTACTS: BeCu
 PLATING: Au PER MIL-G-45204
 INSULATOR: PTFE
 INTERFACE: SMP DESC 94007
 INTERFACE: SMA MIL-STD-348B
 OP. TEMP RANGE: -55° to +125°C
 ROHS COMPLIANT

MMSF-F
 DESC 94007



FAIRVIEW MICROWAVE INC.

ALLEN, TX 75013 WWW.FAIRVIEWMICROWAVE.COM

TITLE

ADAPTER SMP/F-SMA/F 26.5GHZ

SIZE	CAGE CODE	DWG NO	REV
A	3FKR5	SM8805	--

SCALE	SHEET
-------	-------