

SMP/M FULL DETENTE TO SMP/M SMOOTH BORE CATCHERS MITT ADAPTER

SM8794

SPECIFICATIONS

ELECTRICAL

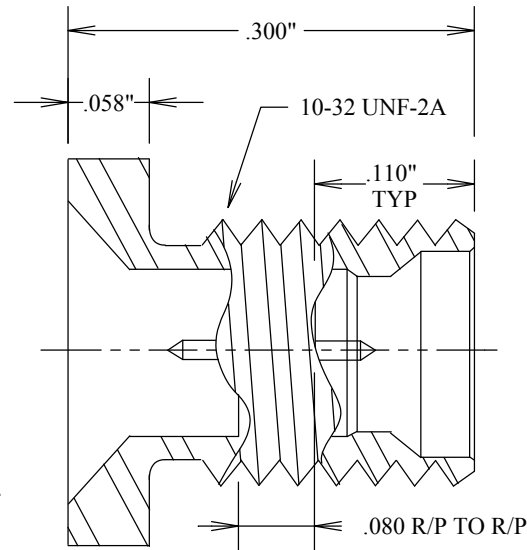
FREQUENCY: 0-40 GHZ
 IMPEDANCE: 50 OHMS
 VSWR 1.3:1 MAX @ 40 GHZ

MECHANICAL

MATERIAL BODY: PASSIVATED STAINLESS STEEL
 MATERIAL CONTACT: BeCu
 CONTACT PLATING: Au PER MIL-G-45204

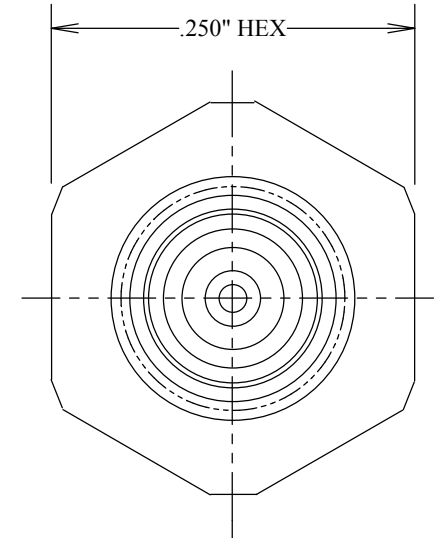
ENVIRONMENT

OPERATING TEMPERATURE: -65°C - +165°C
 ROHS COMPLIANT



SMP/M
SMOOTH BORE
CATCHERS MITT

SMP/M
FULL DETENTE



				FAIRVIEW MICROWAVE INC.	
				ALLEN, TX 75013 WWW.FAIRVIEWMICROWAVE.COM	
				TITLE	
				SMP/M FULL DETENTE TO SMP/M SMOOTH BORE CATCHERS MITT ADAPTER	
SIZE	CAGE CODE	DWG NO	REV		
A	3FKR5	SM8794	A		
SCALE			SHEET		