

TNC M/F RIGHT ANGLE ADAPTER

SM8723

SPECIFICATIONS

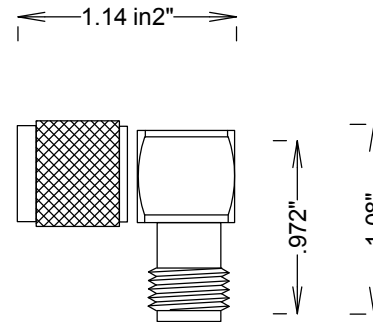
ELECTRICAL

FREQUENCY: 0-2 GHZ
IMPEDANCE: 50 OHMS
VSWR: 1.3:1 MAX @ 1.5GHZ
VSWR 1.5:1 MAX @ 2GHZ

MECHANICAL

MATERIALS BODY: NICKEL PLATED BRASS
MATERIALS CONTACTS: AU PLATED BRASS
DIELECTRIC: TEFLON
INTERFACE: MIL-STD-348A

ROHS COMPLIANT



FAIRVIEW MICROWAVE INC.

ALLEN, TX 75013 WWW.FAIRVIEWMICROWAVE.COM

TITLE

TNC M/F RIGHT ANGLE ADAPTER

SIZE	CAGE CODE	DWG NO	REV
A	3FKR5	SM8723	--

SCALE

SHEET