

SMA M/M ADAPTER 18GHZ BRASS

SM7575

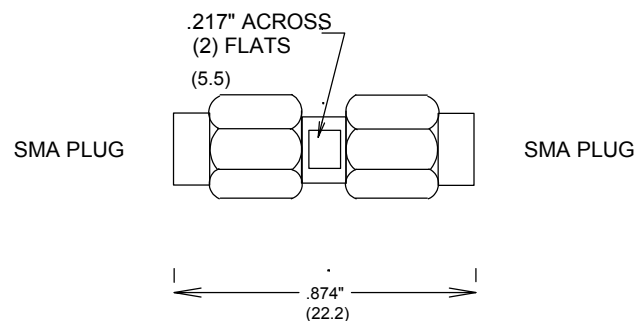
SPECIFICATIONS

ELECTRICAL
 50 OHMS
 VSWR 1.25:1 MAX @ 18 GHZ
 FREQUENCY: 0-18 GHZ

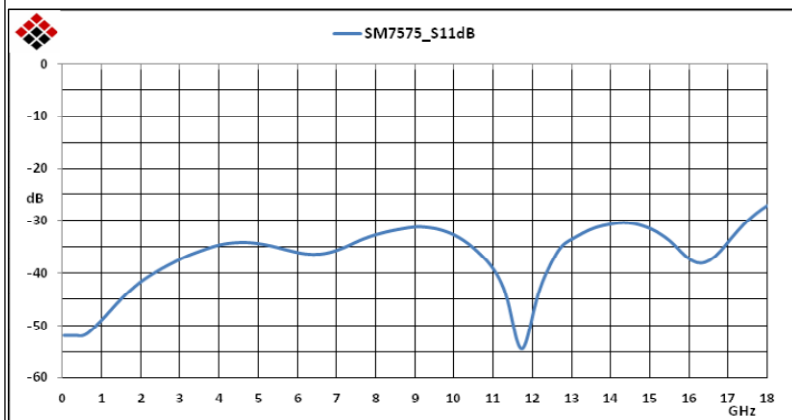
MATERIALS BODY: BRASS, AU PLATED, 3 μ" MIN
 CENTER CONTACTS: BRASS
 TORQUE: 6 In-lbs MAX

ROHS COMPLIANT

OP TEMP: -45-100° C



MEASUREMENTS BELOW ARE TYPICAL



ALL DIMENSIONS IN inches(MM) Typical

FAIRVIEW MICROWAVE INC.			
ALLEN, TX 75013 WWW.FAIRVIEWMICROWAVE.COM			
TITLE			
SMA M/M ADAPTER 18GHZ BRASS			
SIZE	CAGE CODE	DWG NO	REV
A	3FKR5	SM7575	A
SCALE		SHEET	