

SMA RIGHT ANGLE M/F TRIMETAL BODY

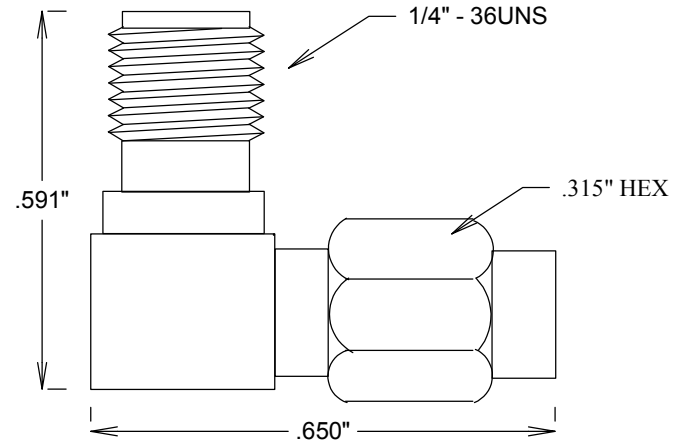
SM7568

SPECIFICATIONS

ELECTRICAL
 50 OHMS
 VSWR 1.23:1 MAX
 FREQUENCY: 0-12.4 GHZ

MATERIALS
 BODY: BRASS
 CENTER CONTACTS: BECU
 INSULATOR: TEFLON
 BODY FINISH: WHITE BRONZE 80 μ" MIN
 CENTER CONTACT FINISH: GOLD 50μ" MIN
 INTERFACE: MIL-STD-348A

ROHS COMPLIANT



				FAIRVIEW MICROWAVE INC.	
				ALLEN, TX 75013 WWW.FAIRVIEWMICROWAVE.COM	
				TITLE	
				SMA RIGHT ANGLE M/F TRIMETAL BODY	
SIZE		CAGE CODE	DWG NO	REV	
A		3FKR5	SM7568	--	
SCALE			SHEET		