

N/FEMALE TO SMA/MALE/REVERSE POLARITY ADAPTER

SM5817

SPECIFICATIONS

ELECTRICAL

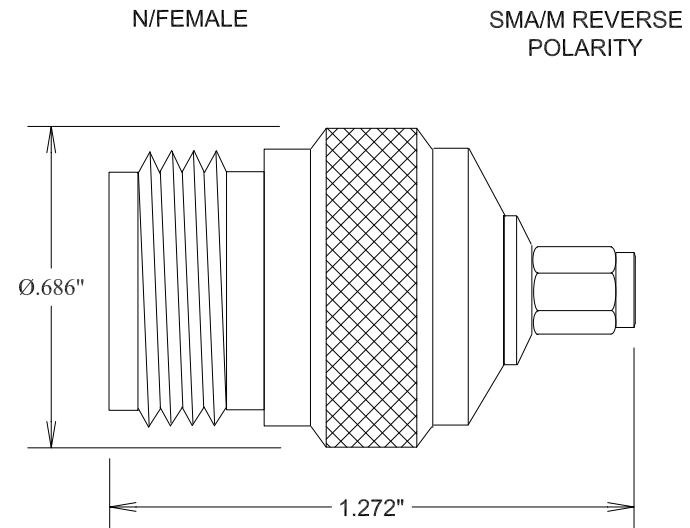
FREQUENCY: 0-11 GHZ
IMPEDANCE: 50 OHMS
VSWR: 1.25:1 MAX

MECHANICAL

MATERIALS BODY NICKEL PLATED BRASS
MATERIALS CONTACTS Au PLATED BRASS
GASKET: SILICONE

ENVIRONMENTAL:

TEMP: -40° TO +100°C



				FAIRVIEW MICROWAVE INC.	
				ALLEN, TX 75013 WWW.FAIRVIEWMICROWAVE.COM	
				TITLE	
				N/FEMALE TO SMA/MALE/REVERSE POLARITY ADAPTER	
SIZE		CAGE CODE	DWG NO	REV	
A		3FKR5	SM5817	--	
SCALE			SHEET		