

N/MALE TO SMA/FEMALE/REVERSE POLARITY ADAPTER

SM5815

SPECIFICATIONS

ELECTRICAL

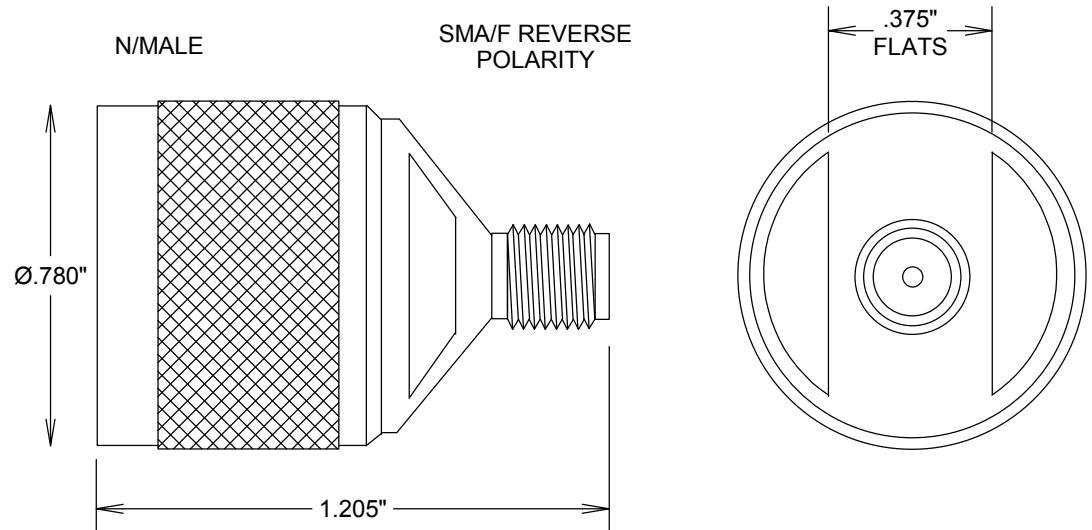
FREQUENCY: 0-11 GHZ
 IMPEDANCE: 50 OHMS
 VSWR: 1.25:1 MAX

MECHANICAL

MATERIALS BODY NICKEL PLATED BRASS
 MATERIALS CONTACTS Au PLATED BRASS
 FEMALE CONTACTS: BECU, Au PLATED
 CONTACT PLATING PER MIL-G-45204
 INSULATOR: TEFLON

ENVIRONMENTAL:

TEMP: -40° TO +100°C



				FAIRVIEW MICROWAVE INC.	
				ALLEN, TX 75013 WWW.FAIRVIEWMICROWAVE.COM	
				TITLE	
				N/MALE TO SMA/FEMALE/REVERSE POLARITY ADAPTER	
SIZE	CAGE CODE	DWG NO	REV		
A	3FKR5	SM5815	--		
SCALE			SHEET		