

SMA/F-TNC/MALE/REVERSE POLARITY ADAPTER

SM5807

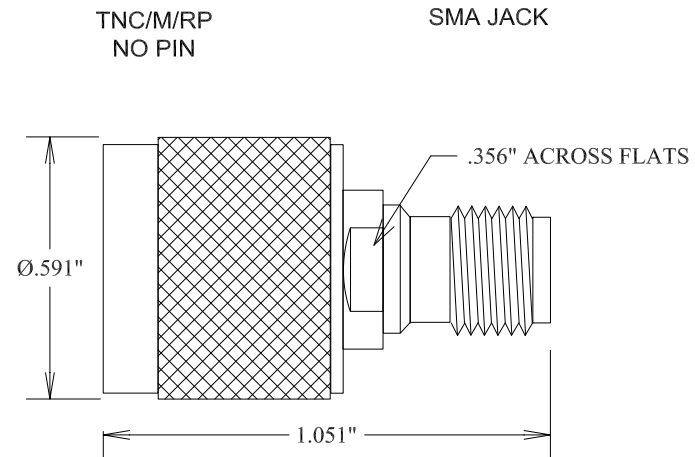
SPECIFICATIONS

ELECTRICAL

FREQUENCY: 0-11 GHZ
IMPEDANCE: 50 OHMS
VSWR: 1.25:1 MAX

MECHANICAL

MATERIALS BODY NICKEL PLATED BRASS
MATERIALS CONTACTS BeCu
CONTACT PLATING: Au PER MIL-G-45204
INSULATOR: PTFE
TEMPERATURE: -45 TO +100°C



FAIRVIEW MICROWAVE INC.

ALLEN, TX 75013 WWW.FAIRVIEWMICROWAVE.COM

TITLE

**SMA/F-TNC/MALE/REVERSE
POLARITY ADAPTER**

SIZE

A

CAGE CODE

3FKR5

DWG NO

SM5807

REV

A

SCALE

SHEET