

TNC/FEMALE/REV. POLARITY ADAPTER-SMA/MALE

SM5805

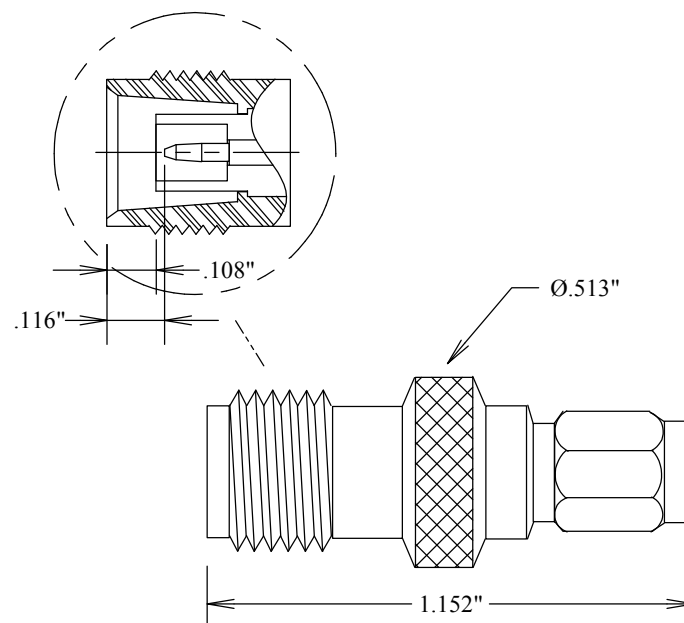
SPECIFICATIONS

ELECTRICAL

FREQUENCY: 0-11 GHZ
 IMPEDANCE: 50 OHMS
 VSWR: 1.25:1 MAX

MECHANICAL

MATERIALS BODY NICKEL PLATED BRASS
 MATERIALS CONTACTS BeCu
 CONTACT PLATING: Au PER MIL-G-45204
 INSULATOR: PTFE
 TEMPERATURE: -45 TO +100°C



				FAIRVIEW MICROWAVE INC.	
				ALLEN, TX 75013 WWW.FAIRVIEWMICROWAVE.COM	
				TITLE	
				TNC/FEMALE/REV. POLARITY ADAPTER-SMA/MALE	
SIZE		CAGE CODE	DWG NO	REV	
A		3FKR5	SM5805	--	
SCALE			SHEET		