

# TNC/FEMALE/REV. POLARITY ADAPTER- SMA/FEMALE

SM5803

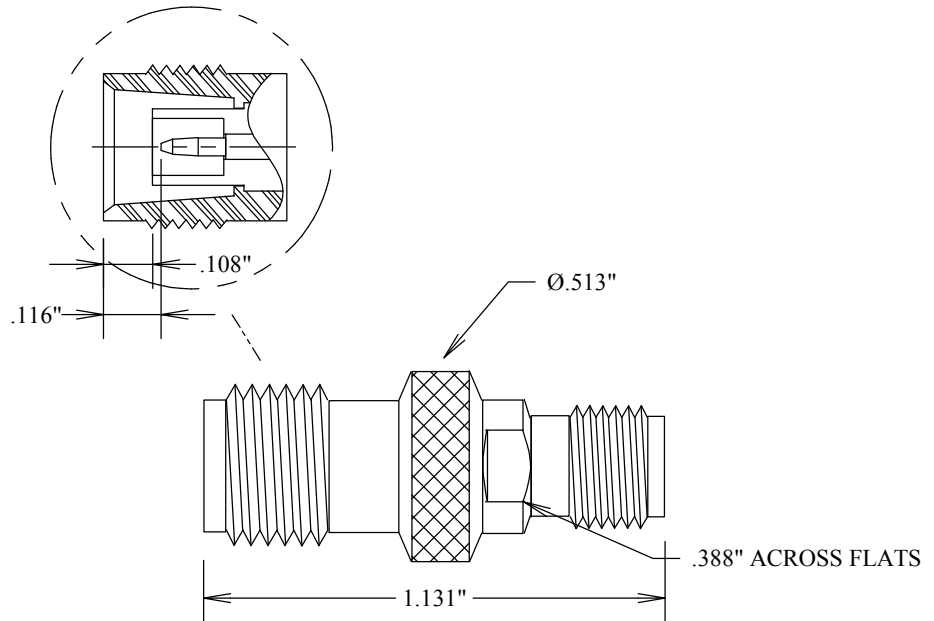
## SPECIFICATIONS

### ELECTRICAL

FREQUENCY: 0-11 GHZ  
 IMPEDANCE: 50 OHMS  
 VSWR: 1.25:1 MAX

### MECHANICAL

MATERIALS BODY NICKEL PLATED BRASS  
 MATERIALS CONTACTS BeCu  
 CONTACT PLATING: Au PER MIL-G-45204  
 INSULATOR: PTFE  
 TEMPERATURE: -45 TO +100°C



				<b>FAIRVIEW MICROWAVE INC.</b>	
				ALLEN, TX 75013 WWW.FAIRVIEWMICROWAVE.COM	
				TITLE	
				TNC/FEMALE/REV. POLARITY ADAPTER- SMA/FEMALE	
SIZE	CAGE CODE	DWG NO			REV
<b>A</b>	<b>3FKR5</b>	<b>SM5803</b>			--
SCALE					SHEET