

N/M-TNC/F REVERSE POLARITY

SM5791

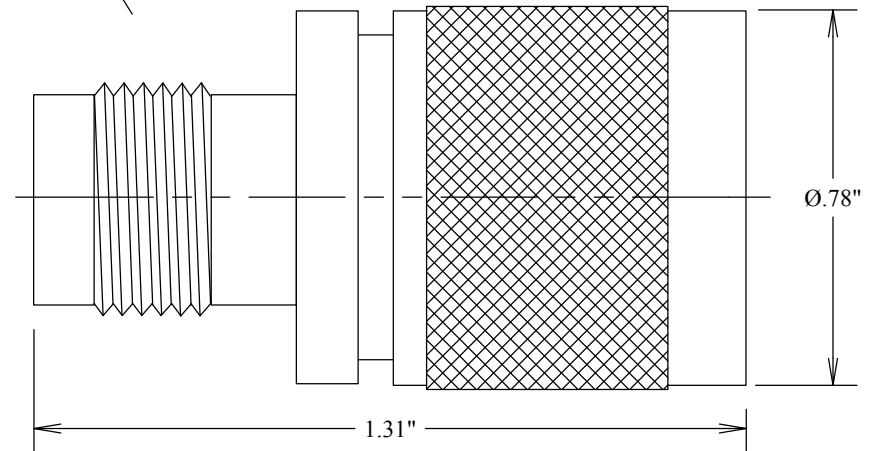
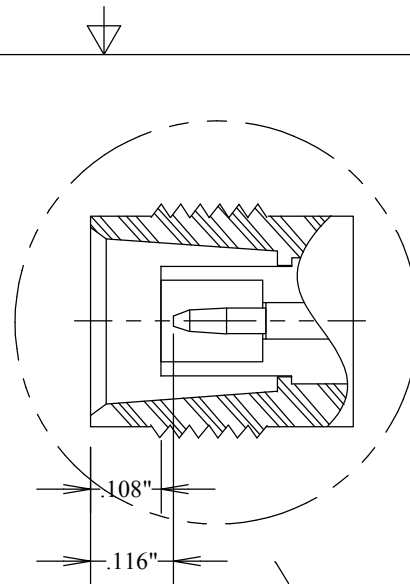
SPECIFICATIONS

ELECTRICAL

FREQUENCY: 0-6 GHZ
IMPEDANCE: 50 OHMS
VSWR: 1.3:1 MAX

MECHANICAL

MATERIALS BODY : NICKEL PLATED BRASS
CONTACTS: BeCu, Au PLATED PER MIL-G-45204
INTERFACE: MIL-STD-348A



FAIRVIEW MICROWAVE INC.

ALLEN, TX 75013 WWW.FAIRVIEWMICROWAVE.COM

TITLE

N/M-TNC/F REVERSE POLARITY

SIZE

A

CAGE CODE

3FKR5

DWG NO

SM5791

REV

--

SCALE

SHEET