

TNC F/F 18GHZ FLANGE ADAPTER

SM5725

SPECIFICATIONS

ELECTRICAL

FREQUENCY: 0-18 GHZ
 IMPEDANCE: 50 OHMS
 VSWR: 1.25:1 MAX

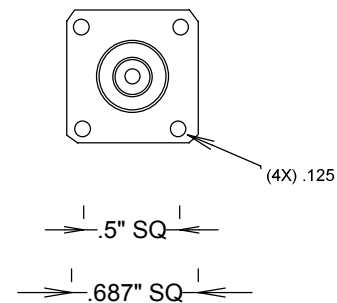
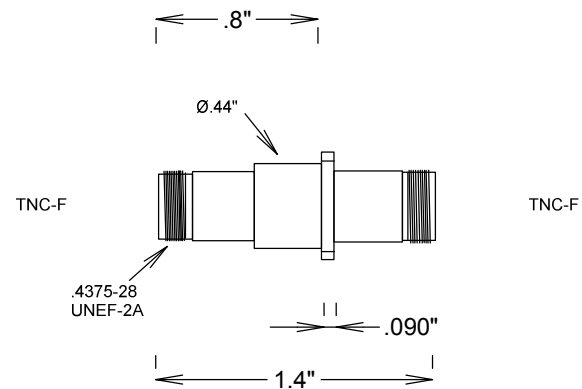
MECHANICAL

MATERIALS BODY PASS STAINLESS STEEL
 MATERIALS CONTACTS BeCu
 CONTACT PLATING: Au MIL-G-45204
 DURABILITY: 500 CYCLES MIN
 INTERFACE: MIL-STD 348B

ENVIRONMENTAL

CORROSION MIL-STD-202
 VIBRATION MIL-STD-202
 SHOCK MIL-STD-202

ROHS COMPLIANT



				FAIRVIEW MICROWAVE INC.	
				ALLEN, TX 75013 WWW.FAIRVIEWMICROWAVE.COM	
				TITLE	
				TNC F/F 18GHZ FLANGE ADAPTER	
SIZE		CAGE CODE	DWG NO		REV
A		3FKR5	SM5725		B
SCALE				SHEET	