

# TNC F/F BULKHEAD 11GHZ ADAPTER

SM5723

## SPECIFICATIONS

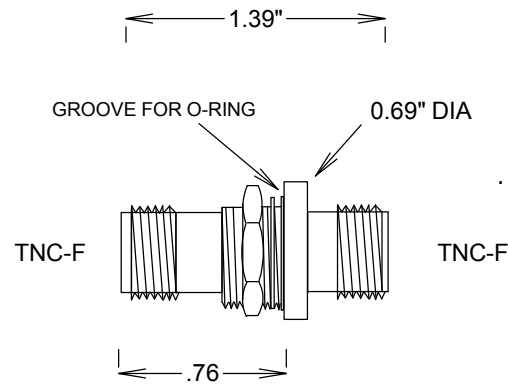
### ELECTRICAL

FREQUENCY: 0-11 GHZ  
 IMPEDANCE: 50 OHMS  
 VSWR: 1.25:1 MAX

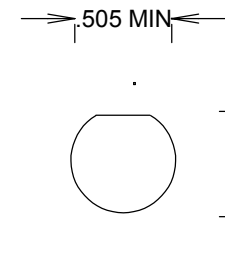
### MECHANICAL

MATERIALS BODY : NICKEL PLATED BRASS  
 CONTACT MATERIAL: BeCu  
 CONTACT PLATING: Au PER MIL-G-45204  
 INSULATOR: TEFLON  
 INTERFACE: MIL-STD-348A  
 HERMETIC

ROHS COMPLIANT



PANEL CUTOUT



				<b>FAIRVIEW MICROWAVE INC.</b>	
				ALLEN, TX 75013 WWW.FAIRVIEWMICROWAVE.COM	
				TITLE	
				TNC F/F BULKHEAD 11GHZ ADAPTER	
SIZE	CAGE CODE	DWG NO	<b>SM5723</b>		
<b>A</b>	<b>3FKR5</b>				
SCALE			SHEET		REV B