

TNC F/F BULKHEAD 11 GHZ ADAPTER

SM5722

SPECIFICATIONS

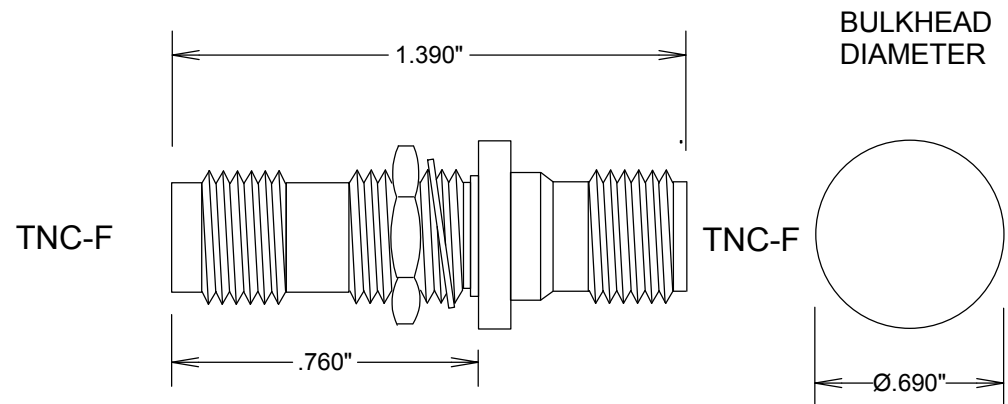
ELECTRICAL

FREQUENCY: 0-11 GHZ
IMPEDANCE: 50 OHMS
VSWR: 1.25:1 MAX

MECHANICAL

MATERIALS BODY : SILVER
CONTACTS: BeCu, Au PLATED MIL-G-45204
INTERFACE: MIL-STD-348A

ROHS COMPLIANT



FAIRVIEW MICROWAVE INC.

ALLEN, TX 75013 WWW.FAIRVIEWMICROWAVE.COM

TITLE

TNC F/F BULKHEAD 11 GHZ ADAPTER

SIZE	CAGE CODE	DWG NO	REV
A	3FKR5	SM5722	

SCALE

SHEET