

SMA-SMA SWEPT ADAPTERS

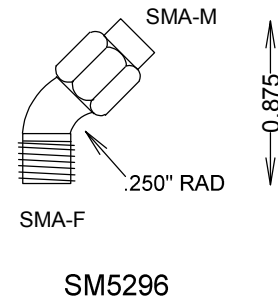
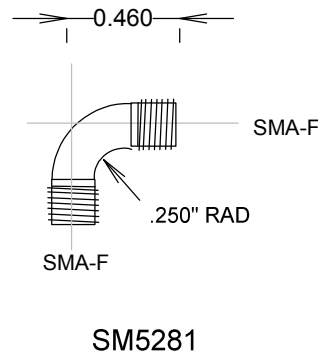
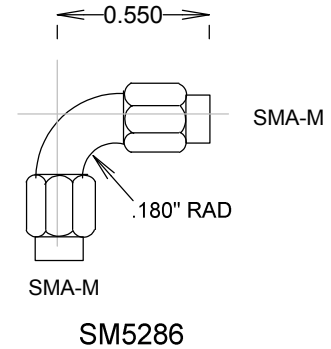
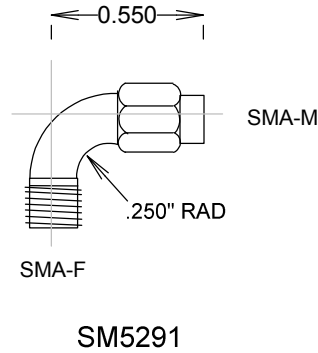
SM5281, SM5286, SM5291, SM5296

SPECIFICATIONS

ELECTRICAL
 50 OHMS
 VSWR 1.25:1 MAX @ 18 GHZ
 FREQUENCY: 0-18 GHZ

MECHANICAL
 500 CYCLES MIN
 INTERFACE: MIL-STD-348A

MATERIALS
 BODY AU PLATED STAINLESS STEEL
 CENTER CONTACTS BECU(f), BRASS(m)
 CONTACT PLATING: Au MIL-G-45204
 DIELECTRIC: TEFLON
 ROHS COMPLIANT



FAIRVIEW MICROWAVE INC.

ALLEN, TX 75013 WWW.FAIRVIEWMICROWAVE.COM

TITLE

SMA-SMA SWEPT ADAPTERS

SIZE	CAGE CODE	DWG NO	REV
A	3FKR5	SM5281 - SM5296	D

SCALE

SHEET