

SMA F/F BULKHEAD REVERSE POLARITY ADAPTER W O-RING AND EPOXY

SM4992

SPECIFICATIONS

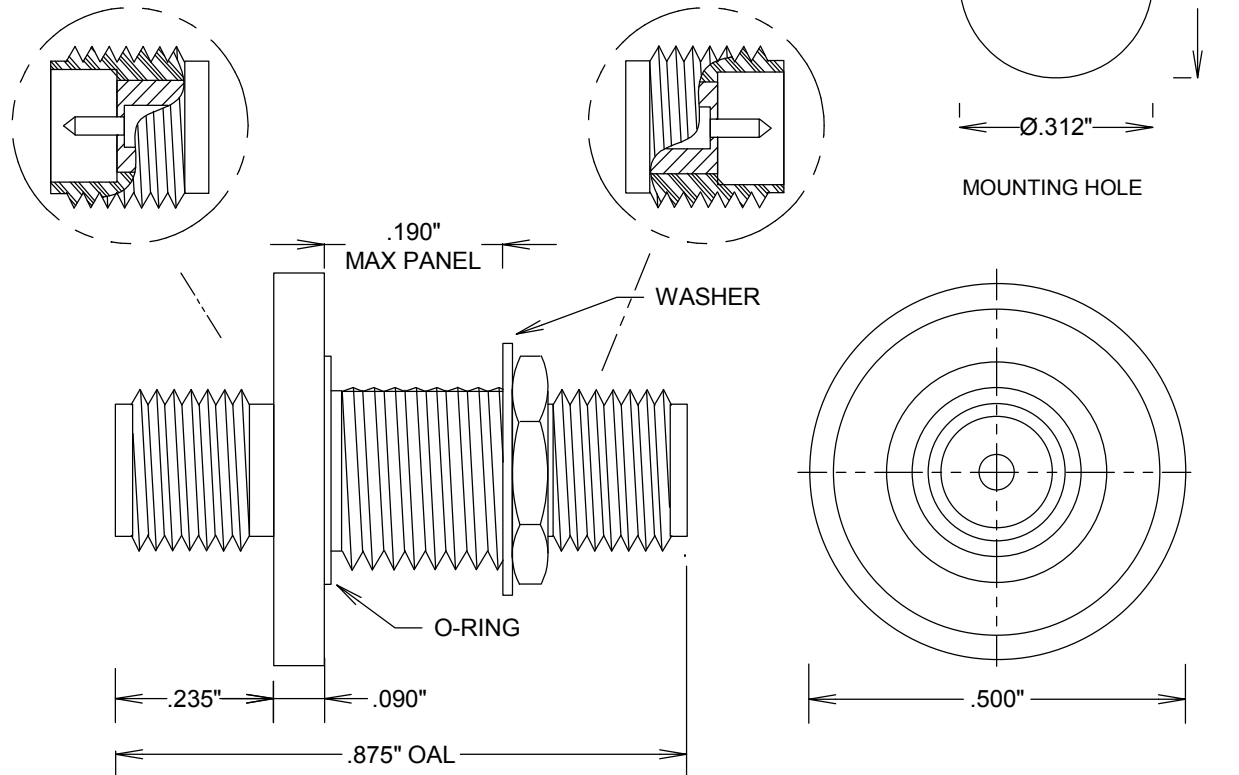
ELECTRICAL
50 OHMS
VSWR 1.25:1 MAX @ 6 GHZ
FREQUENCY: 0-6 GHZ

MECHANICAL
500 CYCLES MIN

ENVIRONMENTAL
-55°C TO +125°C

MATERIALS
BODY: PASSIVATED STAINLESS STEEL
CONTACTS Au PLATED MIL-G-45204

ROHS COMPLIANT



				FAIRVIEW MICROWAVE INC.	
				ALLEN, TX 75013 WWW.FAIRVIEWMICROWAVE.COM	
				TITLE	
				SMA F/F BULKHEAD REVERSE POLARITY ADAPTER W O-RING AND EPOXY	
SIZE		CAGE CODE	DWG NO	REV	
A		3FKR5	SM4992	--	
SCALE			SHEET		